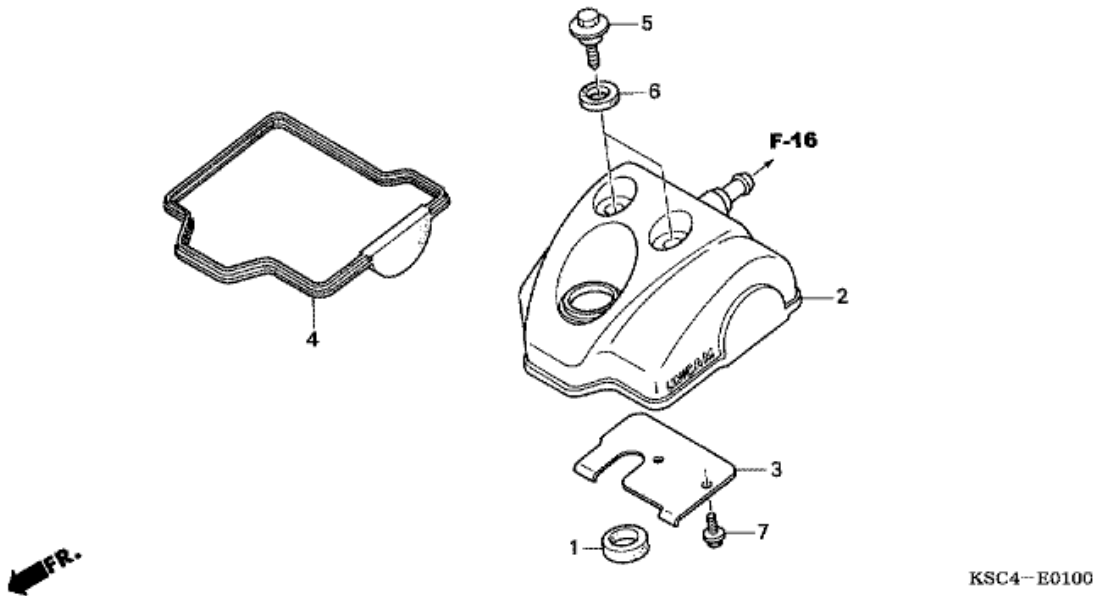


CRF250X CRF250X6 2006 ED EXTREME RED

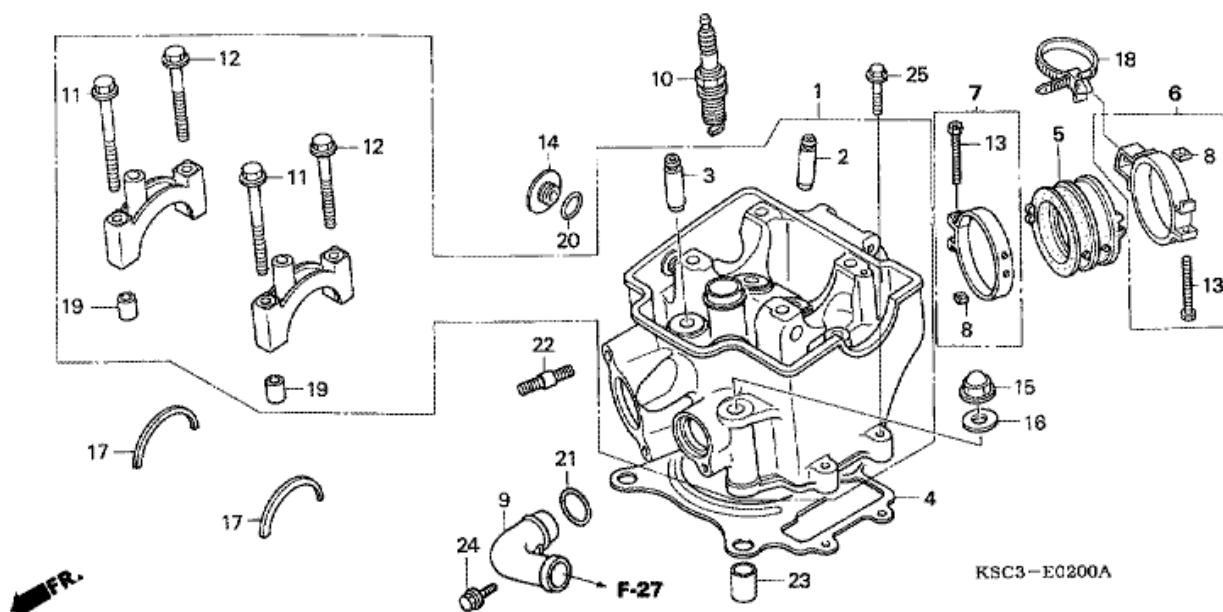
E-1 CYLINDER HEAD COVER



Refnr	Artikelnummer	Beskrivning	Antal	Best. antal	Rep.antal	Pris SEK
1	12226-MEB-670	SEAL, RING	001	0	0	34,87
2	12310-KRN-670	COVER COMP., CYLINDER HEAD	001	0	0	1040,25
3	12316-KRN-670	PLATE, BREATHER	001	0	0	42,09
4	12391-KRN-670	GASKET, HEAD COVER	001	0	0	111,00
5	90017-MY9-790	BOLT, HEAD COVER	002	0	0	24,98
6	90543-MV9-670	RUBBER, MOUNTING	002	0	0	24,05
7	96300-06012-00	BOLT, FLANGE, 6X12	002	0	0	8,23

CRF250X CRF250X6 2006 ED EXTREME RED

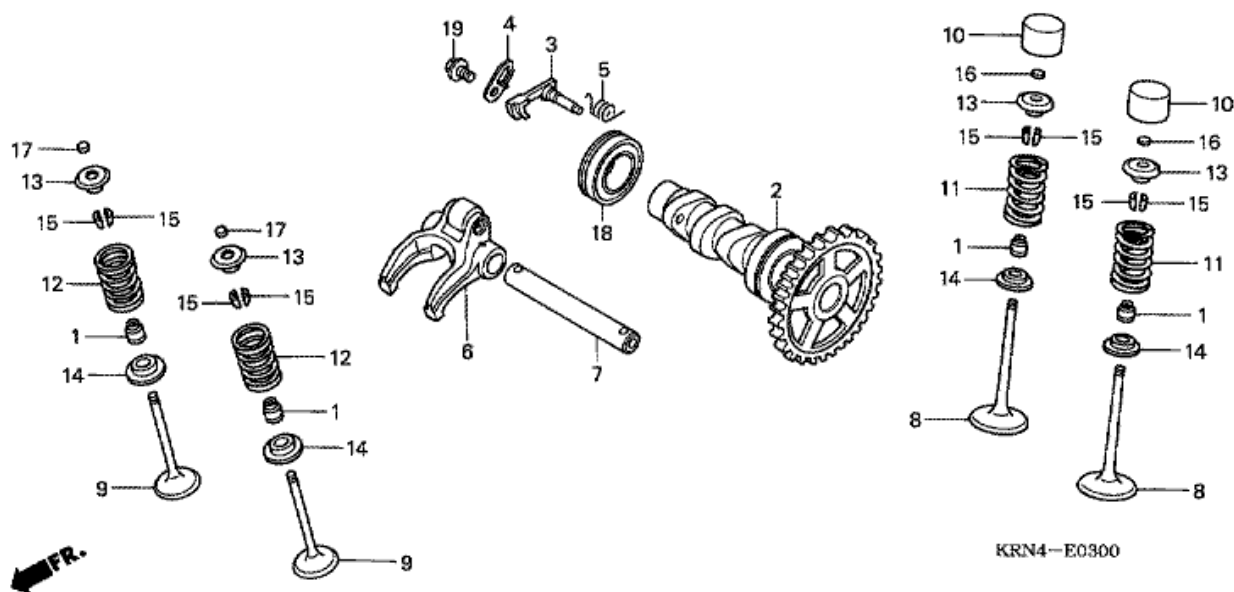
E-2 CYLINDER HEAD



Refnr	Artikelnummer	Beskrivning	Antal	Best. antal	Rep.antal	Pris SEK
1	12010-KRN-674	HEAD ASSY., CYLINDER	001	0	0	5467,03
2	12204-KRN-P00	GUIDE, IN. VALVE (O.S.)	002	0	0	102,12
3	12205-KRN-P00	GUIDE, EX. VALVE (O.S.)	002	0	0	102,12
4	12251-KRN-671	GASKET, CYLINDER HEAD	001	0	0	191,48
5	16211-KRN-670	INSULATOR, CARBURETOR	001	0	0	89,73
6	16218-KSC-670	BAND, INSULATOR	001	0	0	74,00
7	16218-MCJ-000	BAND B, INSULATOR	001	0	0	75,20
8	16222-MV4-300	NUT, SQUARE, 5MM	002	0	0	10,36
9	19523-MEB-670	PIPE, WATER	001	0	0	194,62
10	31911-MBW-E11	PLUG, SPARK (IMR8C-9H) (NGK)	001	0	0	301,83
10	31921-MBW-E12	PLUG, SPARK (VUH24D) (DENSO)	001	0	0	377,31
10	31912-MBW-E11	PLUG, SPARK (IMR9C-9H) (NGK)	(1)	0	0	301,83
10	31922-MBW-E12	PLUG, SPARK (VUH27D) (DENSO)	(1)	0	0	377,31
11	90001-KRN-670	BOLT, FLANGE, 7X60	002	0	0	34,13
12	90002-KRN-670	BOLT, FLANGE, 7X50	002	0	0	34,13
13	90005-MCJ-000	BOLT, RECESSED, 5X28	002	0	0	19,33
14	90084-MEN-670	CAP, 14MM	001	0	0	79,27
15	90232-MB6-680	NUT, CAP, 9MM	004	0	0	26,27
16	90401-KRN-670	WASHER, PLAIN, 9MM	004	0	0	26,73
17	90446-KRN-670	WASHER, CAMSHAFT THRUST	002	0	0	29,79
18	90672-SA0-003	STRAP, CABLE, 118MM (BLACK)	001	0	0	43,11
19	90701-MR7-000	DOWEL PIN, 9X14	004	0	0	20,63
20	91303-377-000	O-RING, 13.8X2.5	001	0	0	28,49
21	91312-KE7-003	O-RING, 19X3 (NOK)	001	0	0	13,69
22	92900-08022-0B	BOLT, STUD, 8X22	002	0	0	11,66
23	94301-12200	DOWEL PIN, 12X20	002	0	0	11,93
24	96001-06014-00	BOLT, FLANGE, 6X14	001	0	0	8,23
25	96001-06028-00	BOLT, FLANGE, 6X28	002	0	0	10,73

CRF250X CRF250X6 2006 ED EXTREME RED

E-3 CAMSHAFT/VALVE



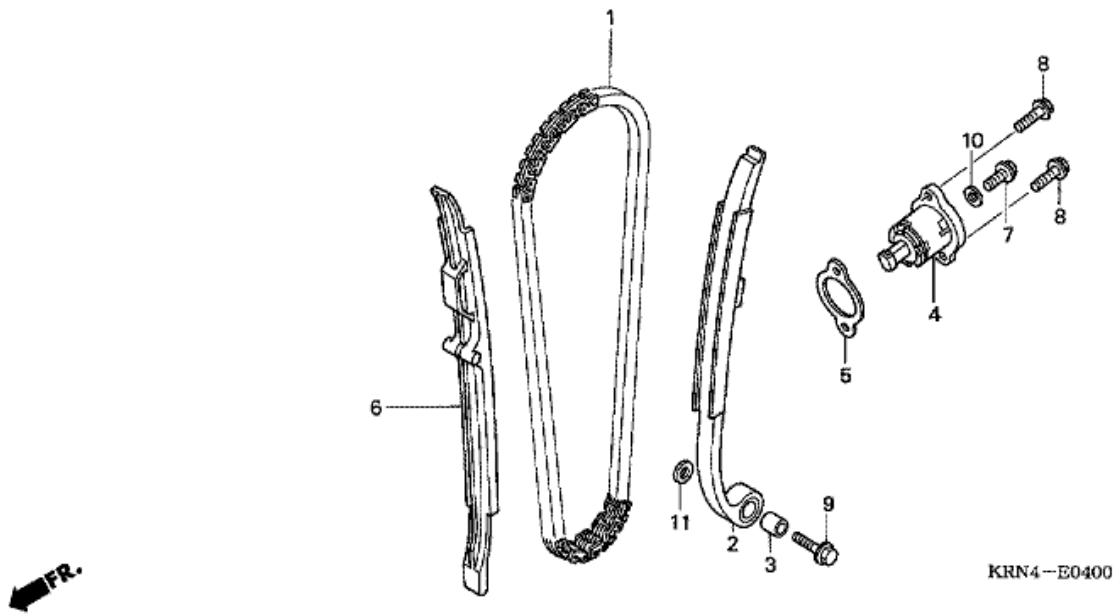
Refnr	Artikelnummer	Beskrivning	Antal	Best. antal	Rep. antal	Pris SEK
1	12209-GB4-681	SEAL, VALVE STEM (NOK)	004	0	0	37,37
2	14100-KSC-670	KAMAXEL KOMP.	001	0	0	2565,21
3	14102-KRN-670	WEIGHT, DECOMPRESSION	001	0	0	551,67
4	14105-KRN-670	PLATE, WEIGHT SETTING	001	0	0	35,71
5	14106-KRN-670	SPRING, DECOMPRESSION	001	0	0	21,09
6	14440-KRN-670	ARM COMP., EX. ROCKER	001	0	0	940,36
7	14451-KSC-671	SHAFT, EX. ROCKER ARM	001	0	0	220,24
8	14711-KRN-670	VALVE, IN.	002	0	0	673,68
9	14721-KRN-670	VALVE, EX.	002	0	0	364,27
10	14731-KRN-670	LIFTER, VALVE	002	0	0	299,05
11	14751-KRN-670	SPRING, IN. VALVE	002	0	0	50,78
12	14761-KRN-670	SPRING, EX. VALVE	002	0	0	60,77
13	14771-KRN-670	RETAINER, VALVE SPRING	004	0	0	45,79
14	14775-KRN-670	SEAT, VALVE SPRING	004	0	0	28,49
15	14781-MAT-000	COTTER, VALVE	008	0	0	22,57
16	14901-KT7-013	SHIM, TAPPET (1.200)	002	0	0	54,21
16	14902-KT7-013	SHIM, TAPPET (1.225)	002	0	0	54,21
16	14903-KT7-013	SHIM, TAPPET (1.250)	002	0	0	54,21
16	14904-KT7-013	SHIM, TAPPET (1.275)	002	0	0	54,21
16	14905-KT7-013	SHIM, TAPPET (1.300)	002	0	0	54,21
16	14906-KT7-013	SHIM, TAPPET (1.325)	002	0	0	54,21
16	14907-KT7-013	SHIM, TAPPET (1.350)	002	0	0	54,21
16	14908-KT7-013	SHIM, TAPPET (1.375)	002	0	0	54,21
16	14909-KT7-013	SHIM, TAPPET (1.400)	002	0	0	54,21
16	14910-KT7-013	SHIM, TAPPET (1.425)	002	0	0	54,21
16	14911-KT7-013	SHIM, TAPPET (1.450)	002	0	0	54,21
16	14912-KT7-013	SHIM, TAPPET (1.475)	002	0	0	54,21
16	14913-KT7-013	SHIM, TAPPET (1.500)	002	0	0	54,21
16	14914-KT7-013	SHIM, TAPPET (1.525)	002	0	0	54,21
16	14915-KT7-013	SHIM, TAPPET (1.550)	002	0	0	54,21

16	14916-KT7-013	SHIM, TAPPET (1.575)	002	0	0	54,21
16	14917-KT7-013	SHIM, TAPPET (1.600)	002	0	0	54,21
16	14918-KT7-013	SHIM, TAPPET (1.625)	002	0	0	54,21
16	14919-KT7-013	SHIM, TAPPET (1.650)	002	0	0	54,21
16	14920-KT7-013	SHIM, TAPPET (1.675)	002	0	0	54,21
16	14921-KT7-013	SHIM, TAPPET (1.700)	002	0	0	54,21
16	14922-KT7-013	SHIM, TAPPET (1.725)	002	0	0	54,21
16	14923-KT7-013	SHIM, TAPPET (1.750)	002	0	0	54,21
16	14924-KT7-013	SHIM, TAPPET (1.775)	002	0	0	54,21
16	14925-KT7-013	SHIM, TAPPET (1.800)	002	0	0	54,21
16	14926-KT7-013	SHIM, TAPPET (1.825)	002	0	0	54,21
16	14927-KT7-013	SHIM, TAPPET (1.850)	002	0	0	54,21
16	14928-KT7-013	SHIM, TAPPET (1.875)	002	0	0	54,21
16	14929-KT7-013	SHIM, TAPPET (1.900)	002	0	0	54,21
16	14930-KT7-013	SHIM, TAPPET (1.925)	002	0	0	54,21
16	14931-KT7-013	SHIM, TAPPET (1.950)	002	0	0	54,21
16	14932-KT7-013	SHIM, TAPPET (1.975)	002	0	0	54,21
16	14933-KT7-013	SHIM, TAPPET (2.000)	002	0	0	54,21
16	14934-KT7-013	SHIM, TAPPET (2.025)	002	0	0	54,21
16	14935-KT7-013	SHIM, TAPPET (2.050)	002	0	0	54,21
16	14936-KT7-013	SHIM, TAPPET (2.075)	002	0	0	54,21
16	14937-KT7-013	SHIM, TAPPET (2.100)	002	0	0	54,21
16	14938-KT7-013	SHIM, TAPPET (2.125)	002	0	0	54,21
16	14939-KT7-013	SHIM, TAPPET (2.150)	002	0	0	54,21
16	14940-KT7-013	SHIM, TAPPET (2.175)	002	0	0	54,21
16	14941-KT7-013	SHIM, TAPPET (2.200)	002	0	0	54,21
16	14942-KT7-013	SHIM, TAPPET (2.225)	002	0	0	54,21
16	14943-KT7-013	SHIM, TAPPET (2.250)	002	0	0	54,21
16	14944-KT7-013	SHIM, TAPPET (2.275)	002	0	0	54,21
16	14945-KT7-013	SHIM, TAPPET (2.300)	002	0	0	54,21
16	14946-KT7-013	SHIM, TAPPET (2.325)	002	0	0	54,21
16	14947-KT7-013	SHIM, TAPPET (2.350)	002	0	0	54,21
16	14948-KT7-013	SHIM, TAPPET (2.375)	002	0	0	54,21
16	14949-KT7-013	SHIM, TAPPET (2.400)	002	0	0	54,21
16	14950-KT7-013	SHIM, TAPPET (2.425)	002	0	0	54,21
16	14951-KT7-013	SHIM, TAPPET (2.450)	002	0	0	54,21
17	14901-KT7-013	SHIM, TAPPET (1.200)	002	0	0	54,21
17	14902-KT7-013	SHIM, TAPPET (1.225)	002	0	0	54,21
17	14903-KT7-013	SHIM, TAPPET (1.250)	002	0	0	54,21
17	14904-KT7-013	SHIM, TAPPET (1.275)	002	0	0	54,21
17	14905-KT7-013	SHIM, TAPPET (1.300)	002	0	0	54,21
17	14906-KT7-013	SHIM, TAPPET (1.325)	002	0	0	54,21
17	14907-KT7-013	SHIM, TAPPET (1.350)	002	0	0	54,21
17	14908-KT7-013	SHIM, TAPPET (1.375)	002	0	0	54,21
17	14909-KT7-013	SHIM, TAPPET (1.400)	002	0	0	54,21
17	14910-KT7-013	SHIM, TAPPET (1.425)	002	0	0	54,21
17	14911-KT7-013	SHIM, TAPPET (1.450)	002	0	0	54,21
17	14912-KT7-013	SHIM, TAPPET (1.475)	002	0	0	54,21
17	14913-KT7-013	SHIM, TAPPET (1.500)	002	0	0	54,21
17	14914-KT7-013	SHIM, TAPPET (1.525)	002	0	0	54,21
17	14915-KT7-013	SHIM, TAPPET (1.550)	002	0	0	54,21
17	14916-KT7-013	SHIM, TAPPET (1.575)	002	0	0	54,21
17	14917-KT7-013	SHIM, TAPPET (1.600)	002	0	0	54,21
17	14918-KT7-013	SHIM, TAPPET (1.625)	002	0	0	54,21
17	14919-KT7-013	SHIM, TAPPET (1.650)	002	0	0	54,21
17	14920-KT7-013	SHIM, TAPPET (1.675)	002	0	0	54,21
17	14921-KT7-013	SHIM, TAPPET (1.700)	002	0	0	54,21

17	14922-KT7-013	SHIM, TAPPET (1.725)	002	0	0	54,21
17	14923-KT7-013	SHIM, TAPPET (1.750)	002	0	0	54,21
17	14924-KT7-013	SHIM, TAPPET (1.775)	002	0	0	54,21
17	14925-KT7-013	SHIM, TAPPET (1.800)	002	0	0	54,21
17	14926-KT7-013	SHIM, TAPPET (1.825)	002	0	0	54,21
17	14927-KT7-013	SHIM, TAPPET (1.850)	002	0	0	54,21
17	14928-KT7-013	SHIM, TAPPET (1.875)	002	0	0	54,21
17	14929-KT7-013	SHIM, TAPPET (1.900)	002	0	0	54,21
17	14930-KT7-013	SHIM, TAPPET (1.925)	002	0	0	54,21
17	14931-KT7-013	SHIM, TAPPET (1.950)	002	0	0	54,21
17	14932-KT7-013	SHIM, TAPPET (1.975)	002	0	0	54,21
17	14933-KT7-013	SHIM, TAPPET (2.000)	002	0	0	54,21
17	14934-KT7-013	SHIM, TAPPET (2.025)	002	0	0	54,21
17	14935-KT7-013	SHIM, TAPPET (2.050)	002	0	0	54,21
17	14936-KT7-013	SHIM, TAPPET (2.075)	002	0	0	54,21
17	14937-KT7-013	SHIM, TAPPET (2.100)	002	0	0	54,21
17	14938-KT7-013	SHIM, TAPPET (2.125)	002	0	0	54,21
17	14939-KT7-013	SHIM, TAPPET (2.150)	002	0	0	54,21
17	14940-KT7-013	SHIM, TAPPET (2.175)	002	0	0	54,21
17	14941-KT7-013	SHIM, TAPPET (2.200)	002	0	0	54,21
17	14942-KT7-013	SHIM, TAPPET (2.225)	002	0	0	54,21
17	14943-KT7-013	SHIM, TAPPET (2.250)	002	0	0	54,21
17	14944-KT7-013	SHIM, TAPPET (2.275)	002	0	0	54,21
17	14945-KT7-013	SHIM, TAPPET (2.300)	002	0	0	54,21
17	14946-KT7-013	SHIM, TAPPET (2.325)	002	0	0	54,21
17	14947-KT7-013	SHIM, TAPPET (2.350)	002	0	0	54,21
17	14948-KT7-013	SHIM, TAPPET (2.375)	002	0	0	54,21
17	14949-KT7-013	SHIM, TAPPET (2.400)	002	0	0	54,21
17	14950-KT7-013	SHIM, TAPPET (2.425)	002	0	0	54,21
17	14951-KT7-013	SHIM, TAPPET (2.450)	002	0	0	54,21
17	14952-KT7-013	SHIM, TAPPET (2.475)	002	0	0	54,21
17	14953-KT7-013	SHIM, TAPPET (2.500)	002	0	0	54,21
17	14954-KT7-013	SHIM, TAPPET (2.525)	002	0	0	54,21
17	14955-KT7-013	SHIM, TAPPET (2.550)	002	0	0	54,21
17	14956-KT7-013	SHIM, TAPPET (2.575)	002	0	0	54,21
17	14957-KT7-013	SHIM, TAPPET (2.600)	002	0	0	54,21
17	14958-KT7-013	SHIM, TAPPET (2.625)	002	0	0	54,21
17	14959-KT7-013	SHIM, TAPPET (2.650)	002	0	0	54,21
17	14960-KT7-013	SHIM, TAPPET (2.675)	002	0	0	54,21
17	14961-KT7-013	SHIM, TAPPET (2.700)	002	0	0	54,21
17	14962-KT7-013	SHIM, TAPPET (2.725)	002	0	0	54,21
17	14963-KT7-013	SHIM, TAPPET (2.750)	002	0	0	54,21
17	14964-KT7-013	SHIM, TAPPET (2.775)	002	0	0	54,21
17	14965-KT7-013	SHIM, TAPPET (2.800)	002	0	0	54,21
17	14966-KT7-013	SHIM, TAPPET (2.825)	002	0	0	54,21
17	14967-KT7-013	SHIM, TAPPET (2.850)	002	0	0	54,21
17	14968-KT7-013	SHIM, TAPPET (2.875)	002	0	0	54,21
17	14969-KT7-013	SHIM, TAPPET (2.900)	002	0	0	54,21
18	91007-KRN-671	BEARING, BALL RADIAL, 6905	001	0	0	125,99
19	96001-06012-00	BOLT, FLANGE, 6X12	001	0	0	8,23

CRF250X CRF250X6 2006 ED EXTREME RED

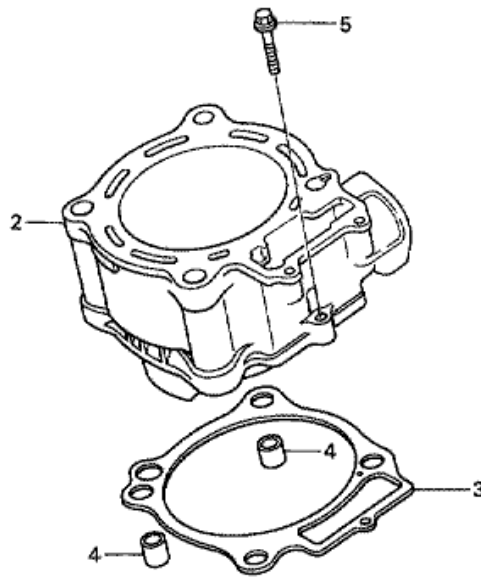
E-4 CAM CHAIN/TENSIONER



Refnr	Artikelnummer	Beskrivning	Antal	Best. antal	Rep.antal	Pris SEK
1	14401-KRN-671	CHAIN, CAM	001	0	0	394,51
2	14510-KRN-670	TENSIONER COMP., CAM CHAIN	001	0	0	400,25
3	14515-KFO-000	COLLAR, TENSIONER, 6X9	001	0	0	21,74
4	14520-KRN-671	LIFTER ASSY., TENSIONER	001	0	0	516,80
5	14560-MEN-671	GASKET, TENSIONER LIFTER	001	0	0	39,59
6	14620-KRN-670	GUIDE, CAM CHAIN	001	0	0	142,36
7	90004-GHB-600	BOLT, FLANGE, 6X10 (NSHF)	001	0	0	33,21
8	90004-GHB-630	BOLT, FLANGE, 6X16 (NSHF)	002	0	0	14,25
9	90088-MEB-670	BOLT, FLANGE, 6X25	001	0	0	18,78
10	90442-397-000	WASHER, SEALING, 6MM	001	0	0	5,09
11	90482-567-000	WASHER, SPECIAL, 6MM	001	0	0	7,03

CRF250X CRF250X6 2006 ED EXTREME RED

E-5 CYLINDER



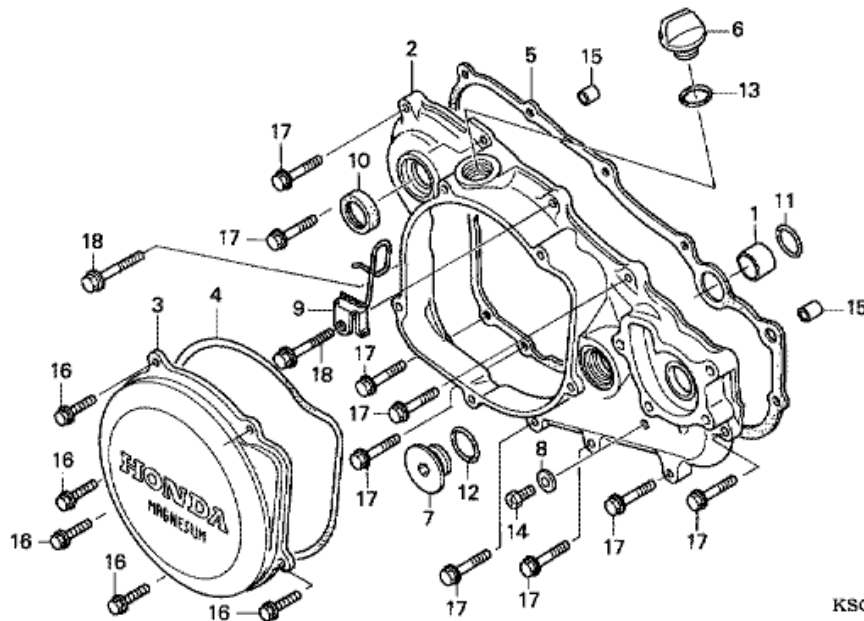
FR.

KRN4-E0500A

Refnr	Artikelnummer	Beskrivning	Antal	Best. antal	Rep.antal	Pris SEK
2	12100-KRN-730	CYLINDER	001	0	0	3363,49
3	12191-KRN-731	GASKET, CYLINDER	001	0	0	71,50
4	94301-12200	DOWEL PIN, 12X20	002	0	0	11,93
5	96001-06028-00	BOLT, FLANGE, 6X28	001	0	0	10,73

CRF250X CRF250X6 2006 ED EXTREME RED

E-6 R. CRANKCASE COVER



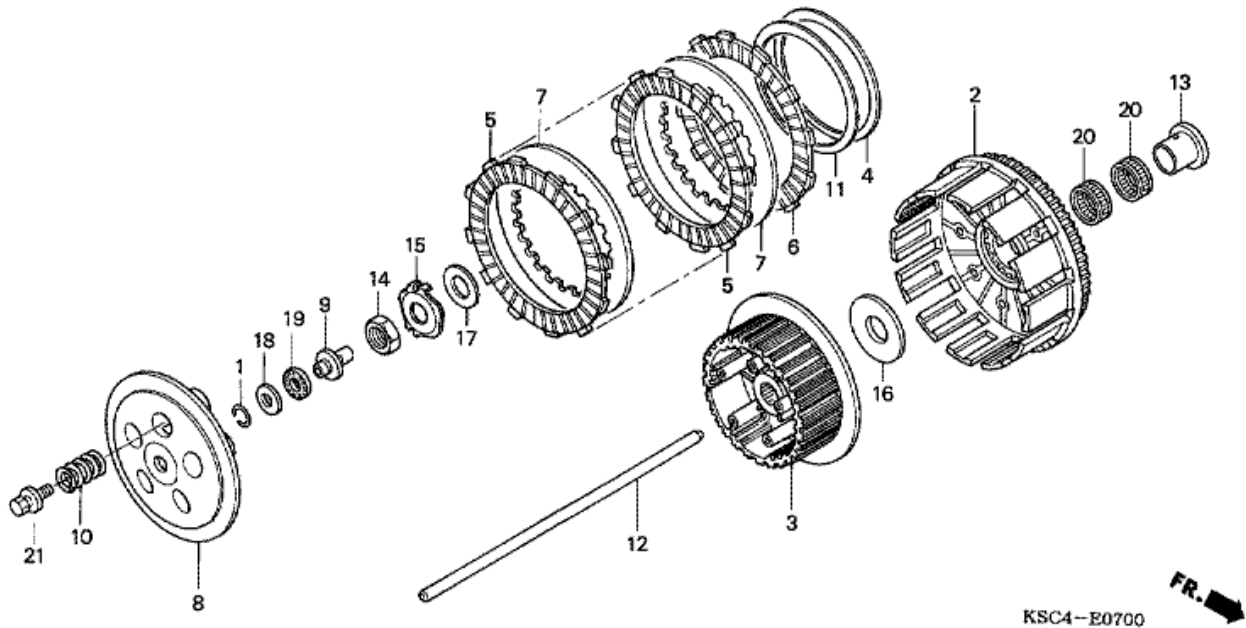
KSC4-E0600



Refnr	Artikelnummer	Beskrivning	Antal	Best. antal	Rep.antal	Pris SEK
1	11102-KRN-670	COLLAR, WATER PASS, 16MM	001	0	0	29,23
2	11331-KSC-670	COVER, R. CRANKCASE	001	0	0	1356,05
3	11351-KSC-670	COVER, CLUTCH	001	0	0	622,90
4	11352-KRN-671	GASKET, CLUTCH COVER	001	0	0	57,63
5	11394-KRN-670	GASKET, R. COVER	001	0	0	143,93
6	15611-KA3-710	CAP, OIL FILLER	001	0	0	54,95
7	90087-KW3-000	CAP, 30MM	001	0	0	112,76
8	90463-ML7-000	WASHER, SEALING, 6.5MM	001	0	0	24,98
9	90510-KSC-671	GUIDE COMP., CLUTCH CABLE	001	0	0	93,70
10	91205-KA3-712	OIL SEAL, 16.5X25X5 (NOK)	001	0	0	33,86
11	91304-MJ0-003	O-RING, 15.8X2.4 (SHOWA)	001	0	0	19,98
12	91305-KF0-003	O-RING, 27X2 (ARAI)	001	0	0	7,31
13	91370-461-000	O-RING, 11.9X2.2	001	0	0	20,07
14	92301-06010-0A	BOLT, RECESSED, 6X10	001	0	0	5,74
15	94301-08140	DOWEL PIN, 8X14	002	0	0	10,73
16	96001-06020-00	BOLT, FLANGE, 6X20	005	0	0	8,23
17	96001-06028-00	BOLT, FLANGE, 6X28	009	0	0	10,73
18	96001-06035-00	BOLT, FLANGE, 6X35	002	0	0	7,49

CRF250X CRF250X6 2006 ED EXTREME RED

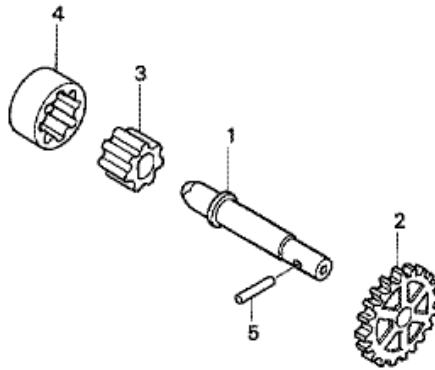
E-7 CLUTCH



Refnr	Artikelnummer	Beskrivning	Antal	Best. antal	Rep.antal	Pris SEK
1	13115-147-000	CLIP, PISTON PIN, 10MM	001	0	0	8,70
2	22100-KSC-670	OUTER COMP., CLUTCH	001	0	0	2713,40
3	22120-KSC-670	CENTER, CLUTCH	001	0	0	491,73
4	22125-435-000	SEAT, JUDDER SPRING	001	0	0	52,91
5	22201-KSC-670	DISK A, CLUTCH FRICTION	007	0	0	129,87
6	22202-KSC-670	DISK B, CLUTCH FRICTION	001	0	0	129,87
7	22321-KF0-770	PLATE, CLUTCH	007	0	0	73,45
8	22351-KZ4-A90	PLATE, CLUTCH PRESSURE	001	0	0	455,38
9	22352-KZ4-A90	PIECE, CLUTCH LIFTER	001	0	0	157,90
10	22401-KSC-670	SPRING, CLUTCH	005	0	0	29,79
11	22402-435-000	SPRING, JUDDER	001	0	0	243,46
12	22851-KZ3-J20	ROD, CLUTCH LIFTER	001	0	0	114,15
13	28237-KSC-670	COLLAR, CLUTCH OUTER	001	0	0	141,99
14	90235-KA4-000	NUT, 18MM	001	0	0	40,33
15	90441-KSC-670	WASHER, LOCK, 18MM	001	0	0	39,59
16	90456-KS6-000	WASHER, THRUST, 20MM	001	0	0	51,80
17	90501-ML3-910	WASHER, 18X32X2	001	0	0	27,84
18	90608-072-000	WASHER, 12MM	001	0	0	46,81
19	91001-147-003	BEARING, NEEDLE, 12MM (NTN)	001	0	0	53,56
20	91012-P68-003	BEARING, NEEDLE, 27X31X16.8	002	0	0	80,38
21	93404-06020-08	BOLT-WASHER, 6X20	005	0	0	8,23

CRF250X CRF250X6 2006 ED EXTREME RED

E-8 OIL PUMP

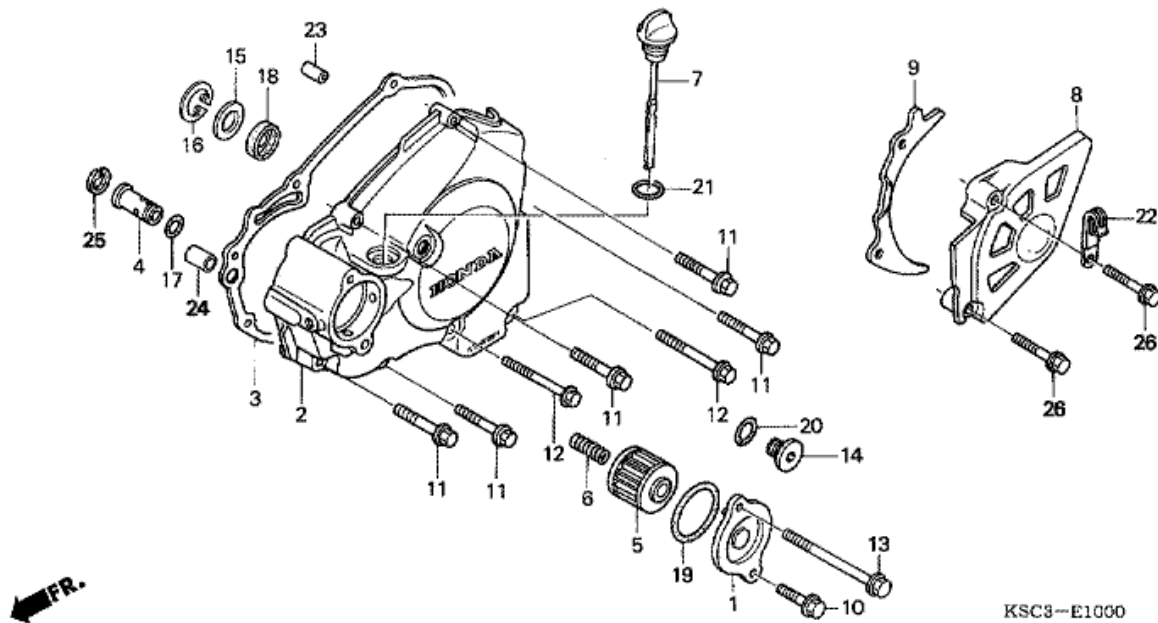


KRN4-E0800

Refnr	Artikelnummer	Beskrivning	Antal	Best. antal	Rep.antal	Pris SEK
1	15111-KRN-670	SHAFT, OIL PUMP	001	0	0	210,53
2	15133-KRN-670	GEAR, OIL PUMP DRIVEN (18T)	001	0	0	239,39
3	15331-324-000	ROTOR, OIL PUMP INNER	001	0	0	68,27
4	15332-324-000	ROTOR, OIL PUMP OUTER	001	0	0	88,99
5	96220-30178	ROLLER, 3X17.8	001	0	0	5,27

CRF250X CRF250X6 2006 ED EXTREME RED

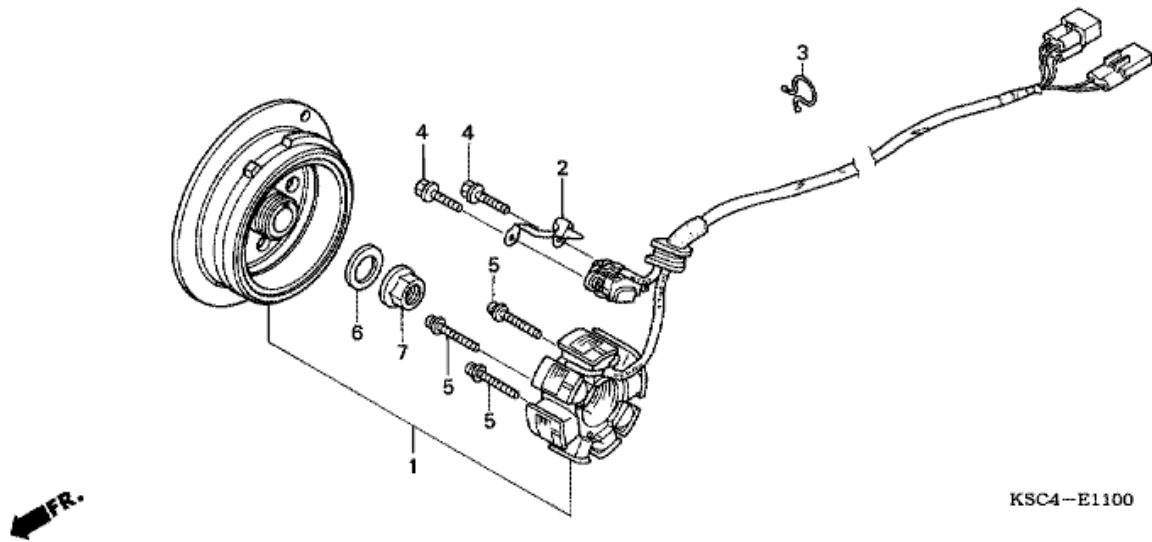
E-10 L. CRANKCASE COVER



Refnr	Artikelnummer	Beskrivning	Antal	Best. antal	Rep.antal	Pris SEK
1	11333-KRN-670	COVER, OIL FILTER	001	0	0	224,78
2	11340-KRN-670	COVER COMP., L. CRANKCASE	001	0	0	1683,87
3	11395-KRN-670	GASKET, L. COVER	001	0	0	77,98
4	15220-MEB-770	VALVE ASSY., RELIEF	001	0	0	174,36
5	15412-MEN-671	FILTER COMP., ENGINE OIL	001	0	0	128,85
6	15414-MEB-670	SPRING, OIL FILTER	001	0	0	26,08
7	15650-KRN-670	GAUGE, OIL LEVEL	001	0	0	108,69
8	23810-KSC-670	COVER COMP., DRIVE SPROCKET	001	0	0	159,01
9	23812-KSC-670	GUIDE, DRIVE CHAIN	001	0	0	62,62
10	90004-GHB-630	BOLT, FLANGE, 6X16 (NSHF)	001	0	0	14,25
11	90004-GHB-690	BOLT, FLANGE, 6X32 (NSHF)	005	0	0	15,73
12	90004-GHB-710	BOLT, FLANGE, 6X40 (NSHF)	002	0	0	16,47
13	90004-GHB-780	BOLT, FLANGE, 6X75 (NSHF)	001	0	0	36,72
14	90084-MEN-670	CAP, 14MM	001	0	0	79,27
15	90451-459-770	WASHER, THRUST, 13MM	001	0	0	14,34
16	90602-MEB-670	CIRCLIP, SPECIAL INTERNAL, 24MM	001	0	0	21,09
17	90751-GK1-003	O-RING, 8.5X1.7	001	0	0	9,71
18	91204-KRN-671	OIL SEAL, 10X21X5	001	0	0	33,30
19	91302-PA9-003	O-RING, 39.8X2.2 (ARAI)	001	0	0	33,49
20	91303-377-000	O-RING, 13.8X2.5	001	0	0	28,49
21	91307-035-000	O-RING, 18X3	001	0	0	12,30
22	91410-679-000	CLIP, 2X60	001	0	0	46,71
23	94301-08140	DOWEL PIN, 8X14	001	0	0	10,73
24	94301-10160	DOWEL PIN, 10X16	001	0	0	12,67
25	94520-14000	CIRCLIP, INTERNAL, 14MM	001	0	0	3,98
26	96001-06030-07	BOLT, FLANGE, 6X30	002	0	0	9,71

CRF250X CRF250X6 2006 ED EXTREME RED

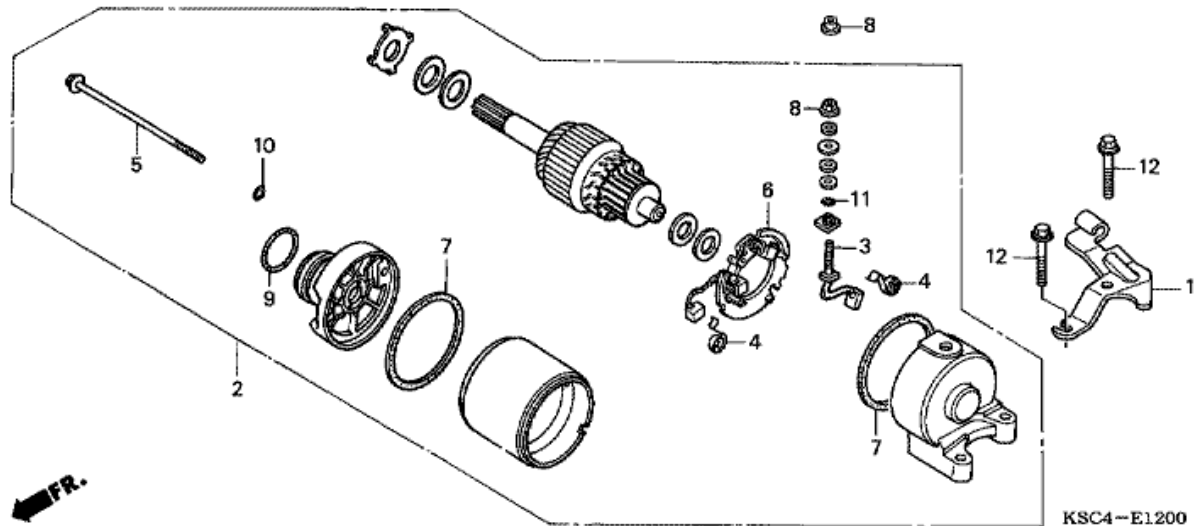
E-11 GENERATOR



Refnr	Artikelnummer	Beskrivning	Antal	Best. antal	Rep.antal	Pris SEK
1	31100-KSC-671	GENERATOR ASSY., FLYWHEEL TYPEA.C.	001	0	0	5331,33
2	32112-KRN-670	CLAMPER, CORD	001	0	0	35,52
3	32171-GF9-621	LOCK, PURSE	001	0	0	20,63
4	90005-896-000	BOLT, FLANGE, 5X16	002	0	0	12,21
5	90010-MEB-670	SCREW-WASHER, 4X24	003	0	0	7,31
6	90437-611-000	WASHER, PLAIN, 12MM	001	0	0	13,60
7	94050-12000	NUT, FLANGE, 12MM	001	0	0	11,93

CRF250X CRF250X6 2006 ED EXTREME RED

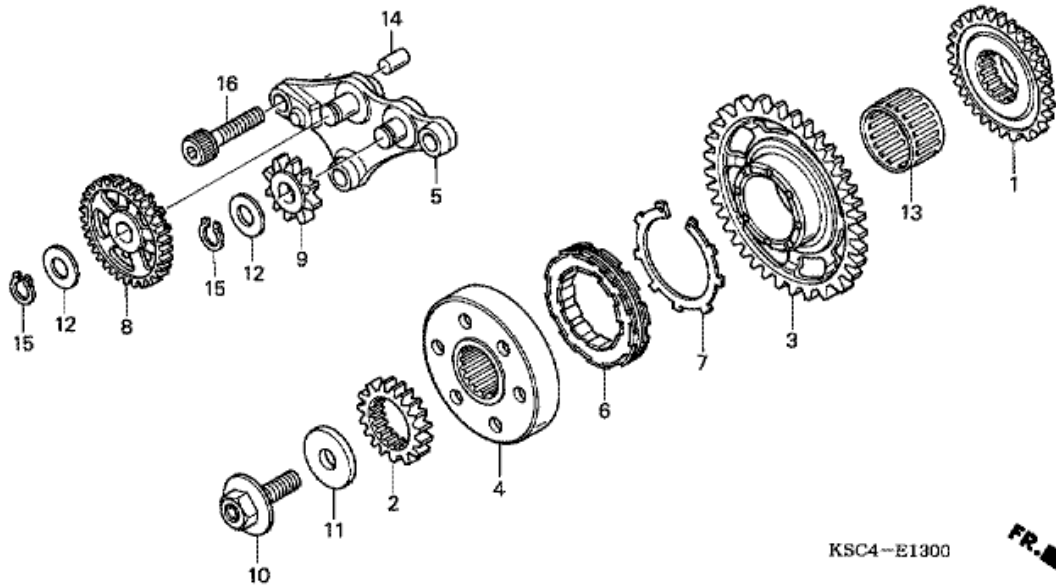
E-12 STARTING MOTOR



Refnr	Artikelnummer	Beskrivning	Antal	Best. antal	Rep.antal	Pris SEK
1	22838-KSC-670	RECEIVER, CLUTCH CABLE	001	0	0	85,01
2	31200-KSC-671	MOTOR ASSY., STARTING	001	0	0	3074,52
3	31201-MBE-008	TERMINAL SET, BRUSH	001	0	0	60,22
4	31204-KS5-901	SPRING, CARBON BRUSH	002	0	0	23,22
5	31205-MBE-008	BOLT, SETTING	002	0	0	27,94
6	31206-MBE-008	HOLDER SET, BRUSH	001	0	0	130,70
7	31207-MBE-008	RING	002	0	0	19,52
8	90071-MB0-000	NUT-WASHER, 6MM	002	0	0	20,17
9	91309-425-003	O-RING, 24.4X3.1 (ARAI)	001	0	0	40,79
10	91320-MBE-008	O-RING	002	0	0	13,69
11	91320-MB0-000	O-RING	001	0	0	19,80
12	96001-06028-00	BOLT, FLANGE, 6X28	002	0	0	10,73

CRF250X CRF250X6 2006 ED EXTREME RED

E-13 STARTING CLUTCH

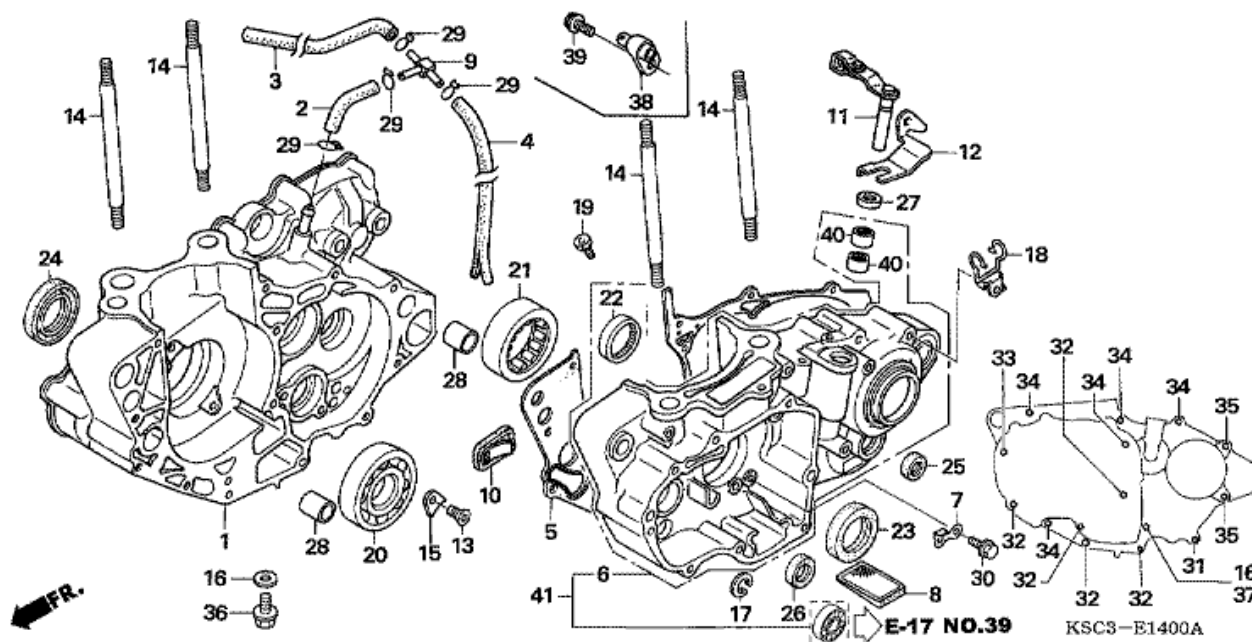


KSC4-E1300

Refnr	Artikelnummer	Beskrivning	Antal	Best. antal	Rep.antal	Pris SEK
1	13415-KRN-670	GEAR, BALANCER DRIVE (32T)	001	0	0	509,03
2	23121-KSC-670	GEAR, PRIMARY DRIVE (18T)	001	0	0	444,56
3	28110-KSC-670	GEAR COMP., STARTING DRIVEN (38T)	001	0	0	536,04
4	28115-KSC-670	OUTER, STARTING CLUTCH	001	0	0	559,26
5	28120-KSC-670	HOLDER COMP., STARTER GEAR	001	0	0	1355,96
6	28125-MT7-004	CLUTCH, ONE WAY	001	0	0	724,65
7	28127-MS2-612	RING, FRICTION	001	0	0	49,77
8	28131-KSC-670	GEAR, STARTING REDUCTION (53T/10T)	001	0	0	278,70
9	28141-KSC-670	GEAR, STARTING IDLE (10T)	001	0	0	177,69
10	90013-MEB-670	BOLT, SPECIAL, 12X28	001	0	0	82,14
11	90402-KW6-960	WASHER, PLAIN, 12MM	001	0	0	50,04
12	90452-166-600	WASHER, THRUST, 12MM	002	0	0	8,14
13	91025-KT7-003	BEARING, NEEDLE, 30X37X20	001	0	0	200,54
14	94303-08140	DOWEL PIN, 8X14	001	0	0	9,71
15	94510-12000	CIRCLIP, EXTERNAL, 12MM	002	0	0	4,26
16	96600-08028-00	BOLT, SOCKET, 8X28	003	0	0	9,71

CRF250X CRF250X6 2006 ED EXTREME RED

E-14 CRANKCASE

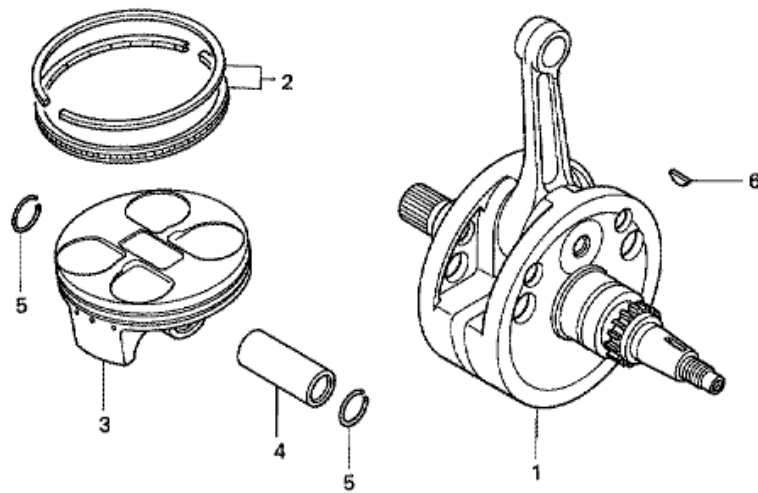


Refnr	Artikelnummer	Beskrivning	Antal	Best. antal	Rep.antall	Pris SEK
1	11100-KSC-670	CRANKCASE COMP., R.	001	0	0	3063,32
2	11105-KSC-670	TUBE A, BREATHER	001	0	0	21,37
3	11107-KSC-670	TUBE B, BREATHER	001	0	0	71,13
4	11108-KSC-670	TUBE C, BREATHER	001	0	0	62,35
5	11191-KRN-670	GASKET, CRANKCASE	001	0	0	133,11
6	11200-KSC-672	CRANKCASE COMP., L.	001	0	0	3465,98
7	11206-KRN-670	PLATE, CAM CHAIN GUIDE	001	0	0	25,72
8	15421-KK0-000	SCREEN, OIL FILTER	001	0	0	66,14
9	16961-MCT-010	JOINT, THREE WAY	001	0	0	110,08
10	18601-MBW-003	VALVE COMP., REED	001	0	0	131,07
11	22810-KSC-670	LEVER COMP., CLUTCH LIFTER	001	0	0	266,77
12	22813-KRN-670	PLATE, CLUTCH LEVER	001	0	0	27,84
13	90003-KRN-670	SCREW, SPECIAL FLAT, 6X12	002	0	0	14,43
14	90031-KRN-670	BOLT, STUD, 10X135	004	0	0	75,20
15	90441-KRN-670	PLATE, BEARING HOLDER	002	0	0	24,24
16	90474-333-000	WASHER, SEALING, 8MM	002	0	0	22,29
17	90604-MEB-670	CIRCLIP, SPECIAL, 33MM	001	0	0	29,69
18	90610-MEB-670	GUIDE COMP., TUBE	001	0	0	86,21
20	91001-KRN-671	BEARING, RADIAL BALL, 30X72X16	001	0	0	242,91
21	91002-KRN-671	BEARING, SPECIAL ROLLER	001	0	0	440,95
21	91002-KRN-851	BEARING, SPECIAL ROLLER	001	0	0	440,95
22	91022-KA4-740	BEARING, SHELL, 33X38X8 (NTN)	001	0	0	105,08
23	91201-MEB-671	OIL SEAL, 38X52X7 (ARAI)	001	0	0	121,27
24	91202-MEB-671	OIL SEAL, 39X56X7 (ARAI)	001	0	0	121,27
25	91203-KA4-771	OIL SEAL, 14X22X5 (NOK)	001	0	0	39,50
26	91203-MEB-671	OIL SEAL, 20X33X5 (ARAI)	001	0	0	44,77
27	91205-MEB-671	OIL SEAL, 12X18X3 (ARAI)	001	0	0	29,51
28	94301-14200	DOWEL PIN, 14X20	002	0	0	11,93
29	95002-02100	CLIP, TUBE (B10)	004	0	0	4,90
30	96001-06012-00	BOLT, FLANGE, 6X12	001	0	0	8,23

31	96001-06040-00	BOLT, FLANGE, 6X40	001	0	0	9,99
32	96001-06045-00	BOLT, FLANGE, 6X45	005	0	0	11,66
33	96001-06060-00	BOLT, FLANGE, 6X60	001	0	0	11,66
34	96001-06070-00	BOLT, FLANGE, 6X70	005	0	0	9,25
35	96001-06075-00	BOLT, FLANGE, 6X75	002	0	0	9,71
36	96300-08025-00	BOLT, FLANGE, 8X25	001	0	0	8,23
37	96300-08070-00	BOLT, FLANGE, 8X70	001	0	0	12,95
38	11210-KRN-730	JET COMP., PISTON, #80	001	0	0	206,65
39	96001-06012-00	BOLT, FLANGE, 6X12	001	0	0	8,23
40	91053-719-005	BEARING, NEEDLE, 12X16X10 (NTN)	002	0	0	216,45

CRF250X CRF250X6 2006 ED EXTREME RED

E-15 CRANKSHAFT/PISTON

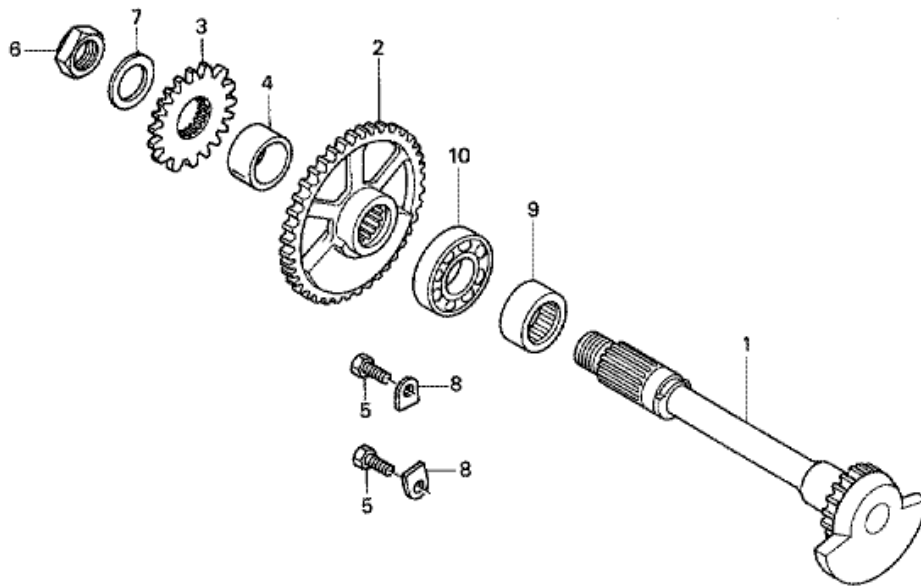


KRN4-E1300

Refnr	Artikelnummer	Beskrivning	Antal	Best. antal	Rep.antal	Pris SEK
1	13000-KSC-670	CRANKSHAFT COMP.	001	0	0	5041,62
1	13000-KSC-671	VEVAXEL KOMP.	001	0	0	5041,62
2	13011-KRN-670	RING SET, PISTON (STD.)	001	0	0	556,94
3	13101-KRN-670	KOLV	001	0	0	509,40
4	13111-KRN-670	PIN, PISTON	001	0	0	173,07
4	13111-KRN-850	PIN, PISTON	001	0	0	173,07
5	13115-KM7-700	CLIP, PISTON PIN, 16MM	002	0	0	16,10
6	13331-360-000	KEY, SPECIAL WOODRUFF, 25X14	001	0	0	23,59

CRF250X CRF250X6 2006 ED EXTREME RED

E-16 BALANCER



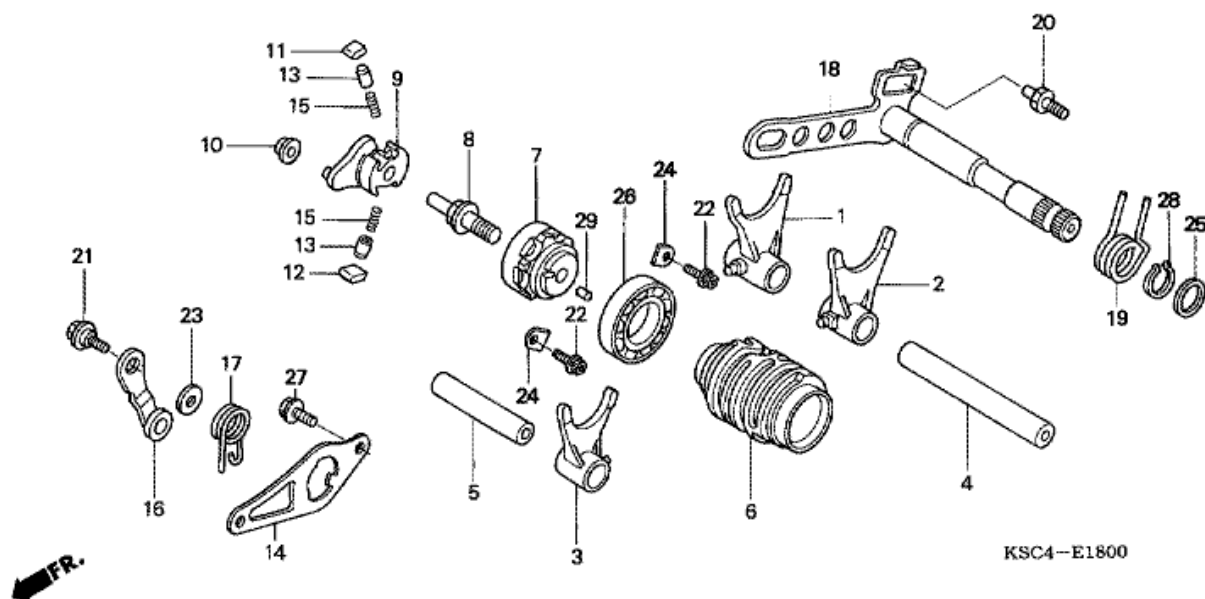
KSC4-E1600

Refnr	Artikelnummer	Beskrivning	Antal	Best. antal	Rep.antal	Pris SEK
1	13420-KSC-670	SHAFT COMP., BALANCER	001	0	0	1428,11
2	13422-KRN-670	GEAR, BALANCER DRIVEN (32T)	001	0	0	407,19
3	19245-KRN-670	GEAR, WATER PUMP DRIVE (19T)	001	0	0	225,33
4	19246-KSC-670	COLLAR, WATER PUMP GEAR	001	0	0	65,30
5	90038-KY4-900	BOLT, HEX., 6X16	002	0	0	9,53
6	90204-MN5-000	NUT, HEX., 14MM	001	0	0	26,27
7	90433-KE1-000	WASHER, 14MM	001	0	0	6,48
8	90441-KA4-700	PLATE, BEARING HOLDER	002	0	0	19,52
9	91004-MEB-671	BEARING, SPECIAL ROLLER, 20X32X14	001	0	0	106,19
10	91005-MEB-671	BEARING, RADIAL BALL, 6003 TMB	001	0	0	77,42

31	90602-360-000	SET RING, 22MM	001	0	0	18,22
32	91001-KSR-A01	BEARING, RADIAL BALL, 17X36X10	001	0	0	165,58
33	91004-KSC-671	BEARING, RADIAL BALL, 22X47X14	001	0	0	143,93
34	91005-KSR-A01	BEARING, RADIAL BALL, 22X47X14	001	0	0	225,42
35	91012-KA3-710	PLATE, COUNTERSHAFT BEARING	002	0	0	31,91
36	91201-KSR-A01	OIL SEAL, 28X37X7	001	0	0	74,00
37	91301-KSR-A01	D-RING, 22MM	001	0	0	25,07
38	93600-06010-0H	SCREW, FLAT, 6X10	002	0	0	3,98
39	91001-KSR-A01	BEARING, RADIAL BALL, 17X36X10	001	0	0	165,58

CRF250X CRF250X6 2006 ED EXTREME RED

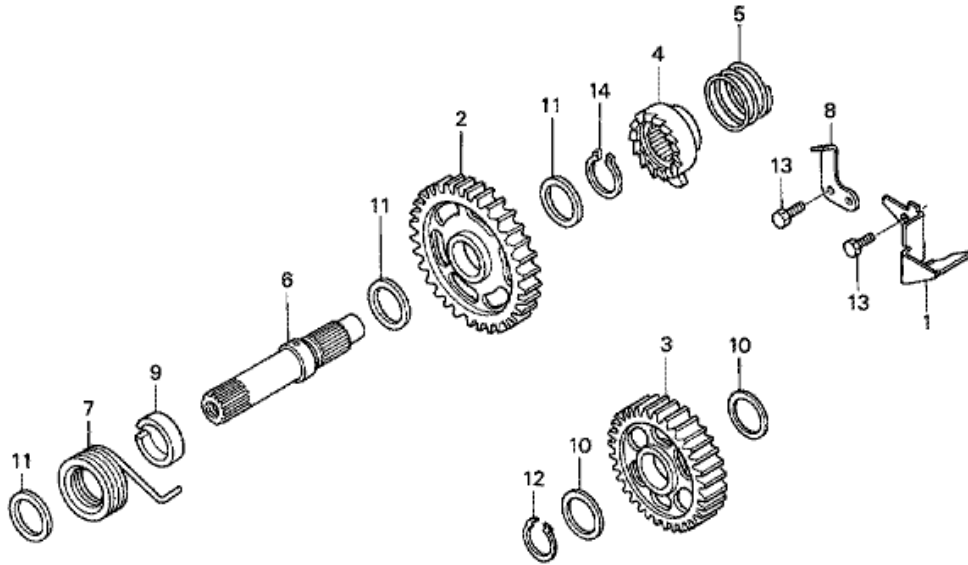
E-18 GEARSHIFT DRUM



Refnr	Artikelnummer	Beskrivning	Antal	Best. antal	Rep.antal	Pris SEK
1	24211-KSC-670	FORK, R. GEARSHIFT	001	0	0	502,18
2	24221-KSC-670	FORK, L. GEARSHIFT	001	0	0	502,18
3	24231-KSC-670	FORK C, GEARSHIFT	001	0	0	502,18
4	24241-KSC-670	SHAFT A, SHIFT FORK	001	0	0	212,20
5	24242-KSC-670	SHAFT B, SHIFT FORK	001	0	0	189,07
6	24311-KSC-670	DRUM, GEARSHIFT	001	0	0	488,40
7	24312-KA3-741	CENTER, GEARSHIFT DRUM	001	0	0	351,13
8	24315-HA0-000	PIN, SHIFTER	001	0	0	68,27
9	24321-KZ4-620	SHIFTER, DRUM	001	0	0	324,40
10	24322-MM4-000	COLLAR, SHIFTER	001	0	0	21,37
11	24324-KA3-711	PAWL A, RATCHET	001	0	0	53,56
12	24325-KA3-711	PAWL B, RATCHET	001	0	0	53,56
13	24326-KBH-901	PLUNGER, PAWL	002	0	0	33,30
14	24328-KRN-670	PLATE, GUIDE	001	0	0	90,56
15	24329-KA3-740	SPRING, PAWL PLUNGER	002	0	0	16,10
16	24430-KA3-740	STOPPER COMP., DRUM	001	0	0	117,48
17	24435-KZ4-690	SPRING, DRUM STOPPER	001	0	0	26,92
18	24610-KRN-730	SPINDLE COMP., GEARSHIFT	001	0	0	494,88
19	24651-MEB-670	SPRING, GEARSHIFT RETURN	001	0	0	24,79
20	24652-HA0-000	PIN, GEARSHIFT RETURN SPRING	001	0	0	32,93
21	90022-MG8-000	PIVOT, SHIFT DRUM STOPPER ARM	001	0	0	8,05
22	90071-MF5-000	BOLT, FLANGE SOCKET, 6X14	002	0	0	33,21
23	90435-HB3-000	WASHER, 6.1MM	001	0	0	21,74
24	90441-KA4-700	PLATE, BEARING HOLDER	002	0	0	19,52
25	90451-155-000	WASHER, 14MM	001	0	0	11,01
26	91004-KY4-900	BEARING, RADIAL BALL, 6905U	001	0	0	103,51
27	93301-06016-0A	BOLT, HEX., 6X16	002	0	0	4,90
28	94510-14000	CIRCLIP, EXTERNAL, 14MM	001	0	0	4,90
29	96220-40080	ROLLER, 4X8	001	0	0	4,90

CRF250X CRF250X6 2006 ED EXTREME RED

E-19 KICK STARTER SPINDLE



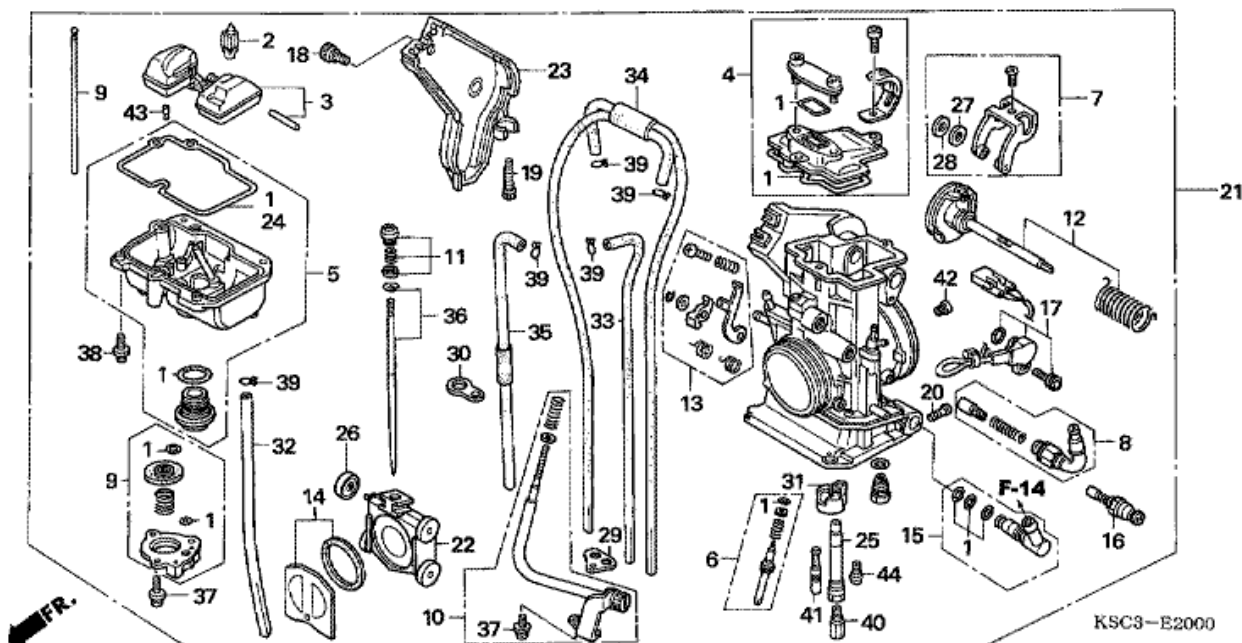
KSC4-E1900



Refnr	Artikelnummer	Beskrivning	Antal	Best. antal	Rep.antal	Pris SEK
1	15201-KSC-670	PLATE, OIL GUIDE	001	0	0	68,64
2	28210-KSC-670	PINION COMP., KICK STARTER (32T)	001	0	0	457,41
3	28230-KRN-670	GEAR COMP., STARTER IDLE (30T)	001	0	0	268,53
4	28241-KA3-710	RATCHET, STARTER	001	0	0	269,18
5	28242-KA3-710	SPRING, RATCHET	001	0	0	17,21
6	28251-KZ4-000	SPINDLE, KICK STARTER	001	0	0	538,91
7	28261-KA3-710	SPRING, STARTER RETURN	001	0	0	54,21
8	28262-KS6-701	PLATE, RATCHET SLIDER	001	0	0	54,30
9	28282-KZ4-B00	COLLAR, KICK SPINDLE	001	0	0	42,92
10	90452-178-000	WASHER, THRUST, 17MM	002	0	0	20,63
11	90501-444-000	WASHER, 16.8X24	003	0	0	26,92
12	90601-001-000	CIRCLIP, EXTERNAL, 17MM	001	0	0	8,70
13	93301-06016-0A	BOLT, HEX., 6X16	002	0	0	4,90
14	94510-16000	CIRCLIP, EXTERNAL, 16MM	001	0	0	5,27

CRF250X CRF250X6 2006 ED EXTREME RED

E-20 CARBURETOR

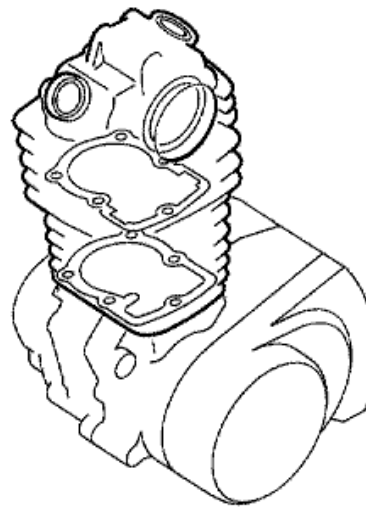
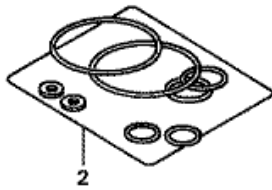
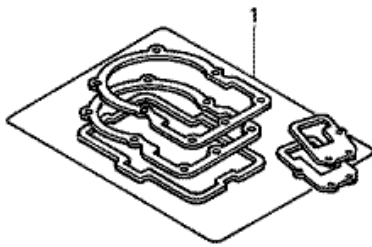


Refnr	Artikelnummer	Beskrivning	Antal	Best. antal	Rep.antal	Pris SEK
1	16010-KRN-671	PACKNINGSPAKET	001	0	0	201,47
2	16011-KZ3-J11	VALVE SET, FLOAT	001	0	0	305,90
3	16013-MEB-671	FLOTTÖRPAKET	001	0	0	308,12
4	16014-KRN-671	TOP SET	001	0	0	466,11
5	16015-KSC-671	CHAMBER SET, FLOAT	001	0	0	624,47
6	16016-KSC-671	SCREW SET A	001	0	0	208,13
7	16018-MEB-671	ARM SET, LINK	001	0	0	146,98
8	16019-MEB-671	START SET, HOT	001	0	0	281,20
9	16021-KRN-671	DIAPHRAGM SET, PUMP	001	0	0	371,20
10	16028-MEB-671	SCREW SET B	001	0	0	266,49
11	16029-MEB-671	SCREW SET, JET NEEDLE	001	0	0	91,58
12	16032-MEB-671	SHAFT SET, THROTTLE	001	0	0	595,33
13	16033-MEB-671	LEVER SET, PUMP	001	0	0	103,14
14	16037-MEB-671	VALVE SET, FLOATING	001	0	0	1069,67
15	16038-KRN-671	JOINT SET, FUEL	001	0	0	254,10
16	16046-MEB-671	VALVE SET, STARTER	001	0	0	362,97
17	16060-KSC-671	SENSOR ASSY., THROTTLE	001	0	0	850,63
18	16080-MEB-671	BOLT, COVER	001	0	0	21,18
19	16081-KRN-671	BOLT, STOPPER	001	0	0	164,19
20	16083-MEB-671	SCREW, PAN	001	0	0	12,95
21	16100-KSC-673	CARBURETOR ASSY. (FCR02A A)	001	0	0	10446,67
22	16112-MEB-671	VALVE, THROTTLE	001	0	0	2062,75
23	16157-MEN-671	COVER, THROTTLE	001	0	0	151,42
24	16163-MEB-671	GASKET, FLOAT CHAMBER	001	0	0	144,12
25	16165-MEB-671	HOLDER, NEEDLE JET	001	0	0	95,83
26	16172-MEB-671	ROLLER	001	0	0	79,92
27	16177-MEB-671	WASHER, PLAIN (PO)	001	0	0	11,84
28	16178-MEB-671	WASHER, PLAIN (SUS)	001	0	0	15,91
29	16179-KZ4-690	BINDEMEDEL	001	0	0	66,14
30	16179-428-670	BINDEMEDEL	001	0	0	70,95

31	16185-MEN-671	PLATE, BUFFER	001	0	0	92,69
32	16196-MEB-671	TUBE, OVERFLOW	001	0	0	45,42
33	16197-MEB-671	TUBE, AIR VENT	001	0	0	71,13
34	16198-MEB-671	TUBE COMP., AIR VENT	001	0	0	85,47
35	16199-KSC-671	TUBE COMP., AIR VENT	001	0	0	97,87
36	16234-MEN-671	NEEDLE SET, JET (NCVT)	001	0	0	230,14
37	93892-04008-18	SCREW-WASHER, 4X8	004	0	0	4,90
38	93892-04014-18	SCREW-WASHER, 4X14	004	0	0	3,52
39	95002-02079	CLIP, TUBE (B7)	005	0	0	3,24
40	99101-357-1300	JET, MAIN, #130	001	0	0	100,64
41	99103-440-0400	JET, SLOW, #40	001	0	0	71,32
42	99104-MEB-1000	JET, SLOW AIR, #100	001	0	0	82,42
43	99108-MEB-0550	JET, LEAK, #55	001	0	0	47,08
44	99112-KRN-0680	JET, BY-STARTER, #68	001	0	0	83,99

CRF250X CRF250X6 2006 ED EXTREME RED

EOP-1 GASKET KIT A

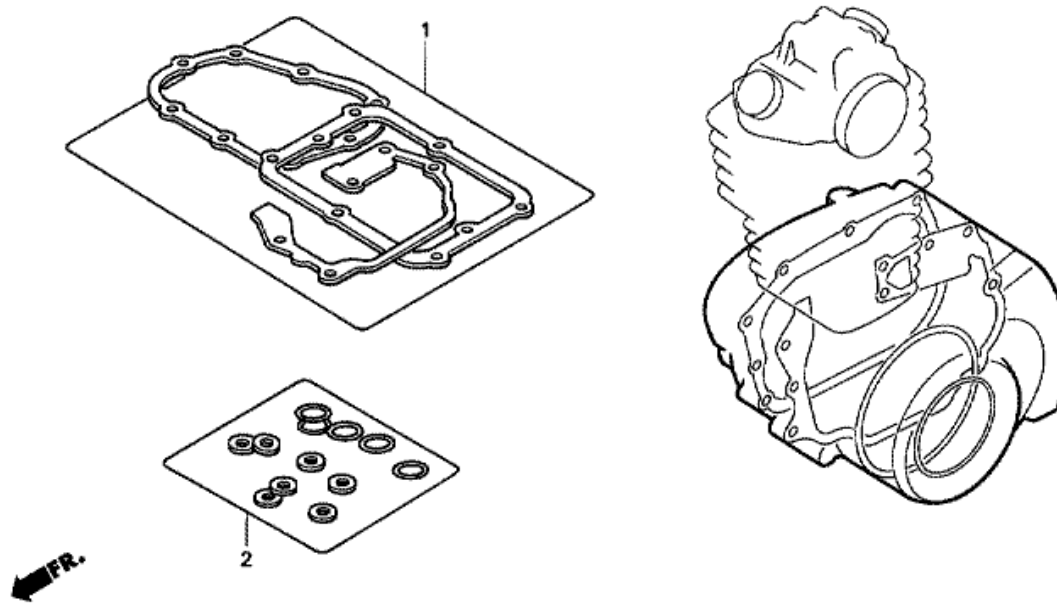


ENG1-X0001 B

Refnr	Artikelnummer	Beskrivning	Antal	Best. antal	Rep.antal	Pris SEK
1	06113-KSC-700	PACKNINGSSKIVA PAKET A (COMPONENT PARTS)	001	0	0	372,31
1	12191-KRN-731	GASKET, CYLINDER	001	0	0	71,50
1	12251-KRN-671	GASKET, CYLINDER HEAD	001	0	0	191,48
1	12391-KRN-670	GASKET, HEAD COVER	001	0	0	111,00
1	14560-MEN-671	GASKET, TENSIONER LIFTER	001	0	0	39,59
1	18291-MM5-860	GASKET, EX. PIPE	001	0	0	19,98
2	06114-KRN-700	WASHER O-RING KIT A (COMPONENT PARTS)	001	0	0	132,00
2	12226-MEB-670	SEAL, RING	001	0	0	34,87
2	90442-397-000	WASHER, SEALING, 6MM	001	0	0	5,09
2	90543-MV9-670	RUBBER, MOUNTING	002	0	0	24,05
2	91303-377-000	O-RING, 13.8X2.5	002	0	0	28,49

CRF250X CRF250X6 2006 ED EXTREME RED

EOP-2 GASKET KIT B

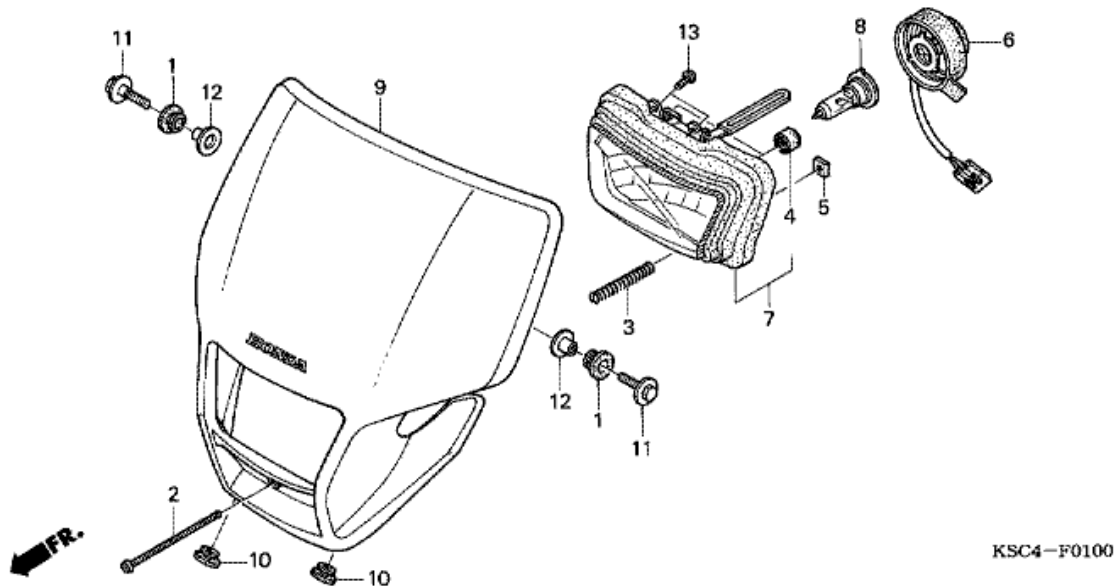


ENG2- X0001 B

Refnr	Artikelnummer	Beskrivning	Antal	Best. antal	Rep.antal	Pris SEK
1	06115-KRN-700	"PACKNINGSSKIVA PAKET B," (COMPONENT PARTS)	001	0	0	401,82
1	11191-KRN-670	GASKET, CRANKCASE	001	0	0	133,11
1	11352-KRN-671	GASKET, CLUTCH COVER	001	0	0	57,63
1	11394-KRN-670	GASKET, R. COVER	001	0	0	143,93
1	11395-KRN-670	GASKET, L. COVER	001	0	0	77,98
1	19226-KRN-670	GASKET, WATER PUMP	001	0	0	30,80
2	06116-KSC-700	WASHER O-RING KIT B (COMPONENT PARTS)	001	0	0	349,10
2	90447-KE1-000	WASHER, SEALING, 7MM	002	0	0	18,59
2	90463-ML7-000	WASHER, SEALING, 6.5MM	002	0	0	24,98
2	90474-333-000	WASHER, SEALING, 8MM	002	0	0	22,29
2	90751-GK1-003	O-RING, 8.5X1.7	001	0	0	9,71
2	91301-KSR-A01	D-RING, 22MM	001	0	0	25,07
2	91302-PA9-003	O-RING, 39.8X2.2 (ARAI)	001	0	0	33,49
2	91303-377-000	O-RING, 13.8X2.5	001	0	0	28,49
2	91304-MJ0-003	O-RING, 15.8X2.4 (SHOWA)	001	0	0	19,98
2	91305-KF0-003	O-RING, 27X2 (ARAI)	001	0	0	7,31
2	91307-035-000	O-RING, 18X3	001	0	0	12,30
2	91312-KE7-003	O-RING, 19X3 (NOK)	001	0	0	13,69
2	91370-461-000	O-RING, 11.9X2.2	001	0	0	20,07

CRF250X CRF250X6 2006 ED EXTREME RED

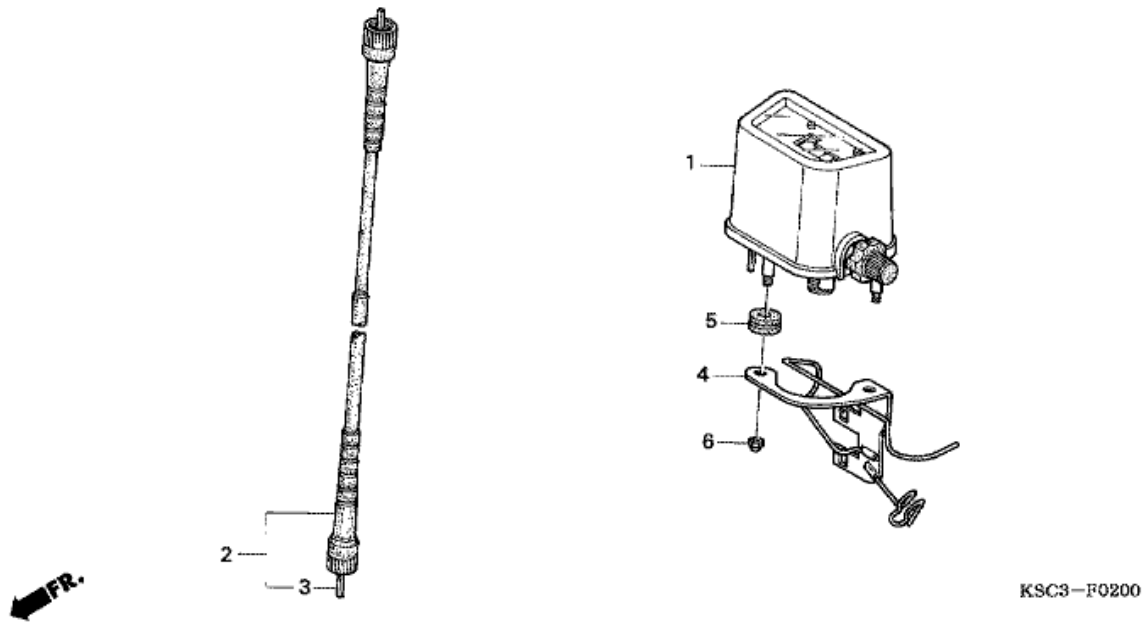
F-1 HEADLIGHT



Refnr	Artikelnummer	Beskrivning	Antal	Best. antal	Rep.antal	Pris SEK
1	18293-GZ5-000	RUBBER, PROTECTOR PACKING	002	0	0	11,66
2	33103-KSC-670	SCREW, PAN, 4X55	001	0	0	11,56
3	33107-KAE-770	SPRING, BEAM ADJUSTING	001	0	0	22,02
4	33113-MBW-D21	PIPE, CP	002	0	0	24,24
5	33117-KBR-730	NUT, BEAM ADJUSTING	001	0	0	27,84
6	33130-MEY-670	SOCKET COMP., HEADLIGHT	001	0	0	245,50
7	33150-KSC-673	STRÅLKASTARENHET KOMP.	001	0	0	1057,27
8	34901-GJ1-003	BULB, HEADLIGHT (12V 35/36.5W)	001	0	0	223,85
9	61300-KSC-000ZA	VISOR SET, FR. (WL) *NH196 * (NH196 ROSS WHITE)	001	0	0	433,18
10	83501-MG7-000	GROMMET, SIDE COVER	002	0	0	15,45
11	90147-KPB-J10	BOLT, FLANGE, 6X16	002	0	0	22,66
12	90501-124-000	WASHER, FR. COVER SETTING	002	0	0	21,92
13	93911-25120	SCREW, TAPPING, 5X10 (PO)	002	0	0	4,16

CRF250X CRF250X6 2006 ED EXTREME RED

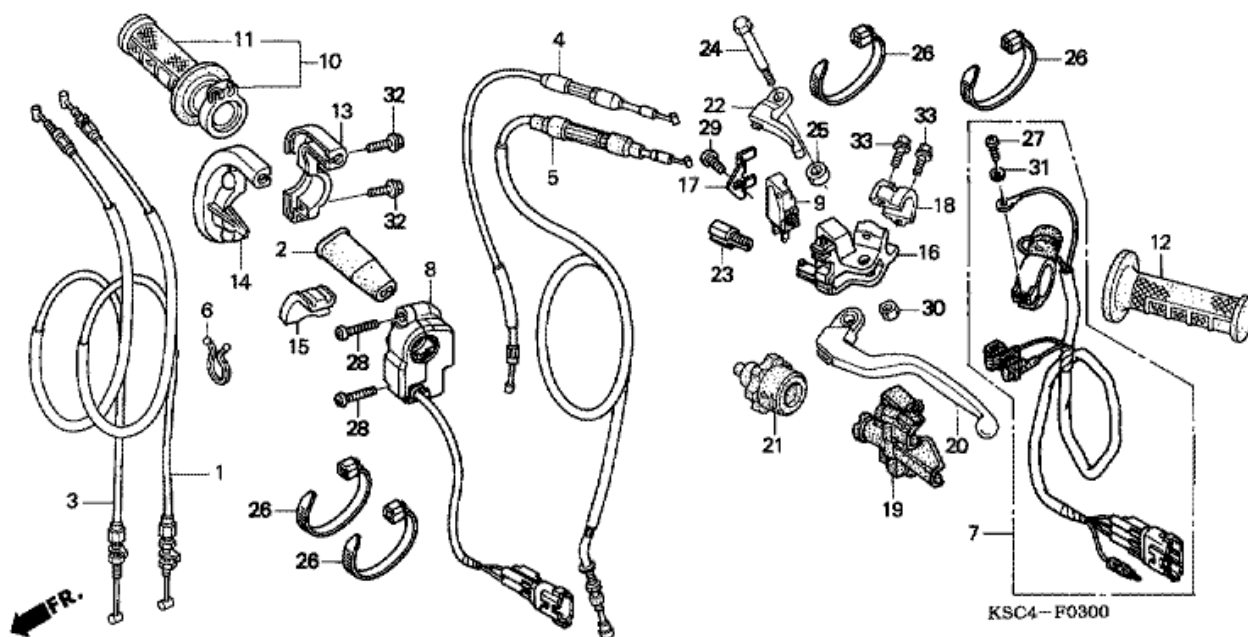
F-2 METER



Refnr	Artikelnummer	Beskrivning	Antal	Best. antal	Rep.antal	Pris SEK
1	37200-MN1-731	METER ASSY., TRIP (KM)	001	0	0	1259,76
2	44830-KSC-000	CABLE ASSY., SPEEDOMETER	001	0	0	187,96
3	44831-KSC-300	CABLE, INNER	001	0	0	59,94
4	50130-KSC-010	STAY, COUPLER	001	0	0	0,00
5	80103-GJ5-000	GROMMET, ENGINE COVER	002	0	0	17,85
6	94021-05000-0S	NUT, CAP, 5MM	002	0	0	6,75

CRF250X CRF250X6 2006 ED EXTREME RED

F-3 HANDLE LEVER/SWITCH/CABLE

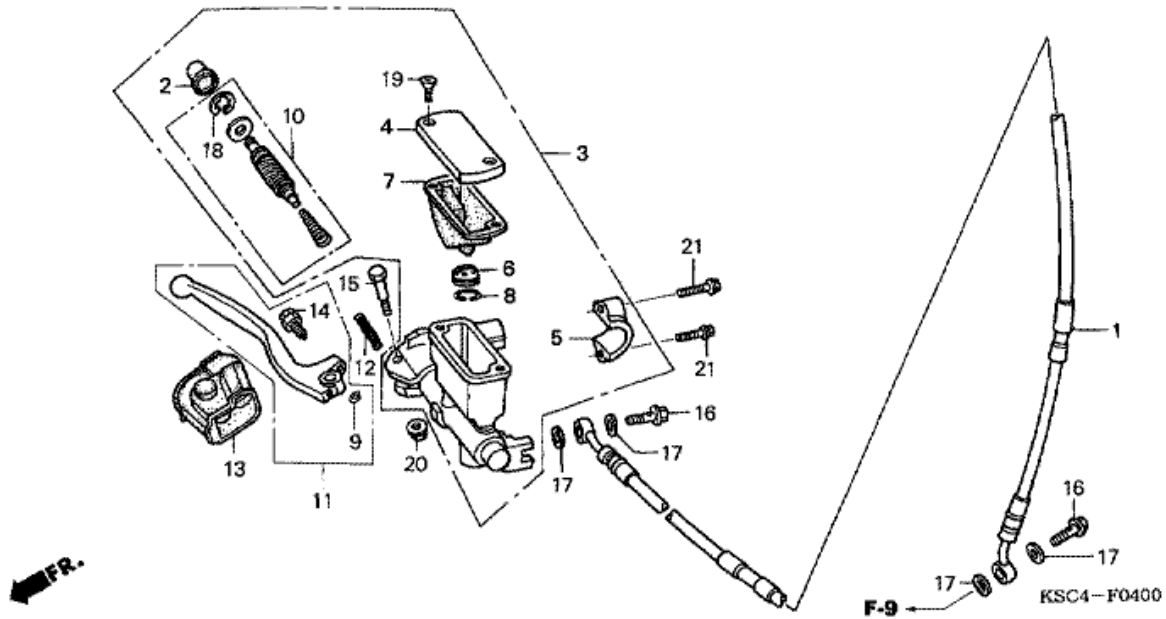


Refnr	Artikelnummer	Beskrivning	Antal	Best. antal	Rep.antal	Pris SEK
1	17910-KSC-000	CABLE COMP. A, THROTTLE	001	0	0	254,75
2	17913-KB7-000	COVER, THROTTLE CABLE	001	0	0	63,92
3	17920-KSC-000	CABLE COMP. B, THROTTLE	001	0	0	254,75
4	17950-KSC-000	CABLE COMP., HOT STARTER	001	0	0	148,83
5	22870-KSC-000	CABLE COMP., CLUTCH	001	0	0	192,77
6	32171-GF9-621	LOCK, PURSE	001	0	0	20,63
7	35130-KSC-670	SWITCH ASSY., ENGINE STOP	001	0	0	273,89
8	35150-KSC-671	SWITCH ASSY., STARTER	001	0	0	391,18
9	35340-ML4-005	SWITCH ASSY., FR. STOP (TATEISHI)	001	0	0	144,86
10	53140-MEB-671	GRIP COMP., THROTTLE	001	0	0	157,71
11	53165-GBF-J60	GRIP, R. HANDLE	001	0	0	96,02
12	53166-GBF-J60	GRIP, L. HANDLE	001	0	0	96,02
13	53167-MEB-671	HOUSING, UPPER THROTTLE	001	0	0	212,47
14	53168-KSC-000	HOUSING, UNDER THROTTLE	001	0	0	212,47
15	53169-MEB-670	SLIDER, THROTTLE CABLE	001	0	0	39,41
16	53172-KSC-000	BRACKET, L. HANDLE LEVER	001	0	0	251,05
17	53173-KSC-000	PLATE, CLUTCH SWITCH	001	0	0	18,50
18	53174-KCE-670	HOLDER, L. LEVER BRACKET	001	0	0	108,69
19	53177-KSC-000	COVER, L. HANDLE LEVER	001	0	0	109,98
20	53178-KSC-000	LEVER, L. STEERING HANDLE	001	0	0	209,79
21	53179-MEN-671	DIAL, CLUTCH CABLE ADJUSTING	001	0	0	92,69
22	53190-MEN-670	LEVER, HOT STARTER	001	0	0	139,77
23	53192-MEN-670	BOLT, WIRE ADJUSTING	001	0	0	93,89
24	90113-MEN-670	BOLT, HANDLE LEVER PIVOT	001	0	0	58,64
25	90501-MEN-670	COLLAR, PIVOT	001	0	0	25,72
26	90650-KV6-003	BAND, WIRE	004	0	0	29,14
27	93500-04012-1A	SCREW, PAN, 4X12	001	0	0	6,01
28	93500-04014-0G	SCREW, PAN, 4X14	002	0	0	6,01
29	93500-05010-0A	SCREW, PAN, 5X10	001	0	0	1,94
30	94001-06000-0S	NUT, HEX., 6MM	001	0	0	5,27

31	94111-04000	WASHER, SPRING, 4MM	001	0	0	6,01
32	96001-06018-07	BOLT, FLANGE, 6X18	002	0	0	12,40
33	96001-06022-00	BOLT, FLANGE, 6X22	002	0	0	7,49

CRF250X CRF250X6 2006 ED EXTREME RED

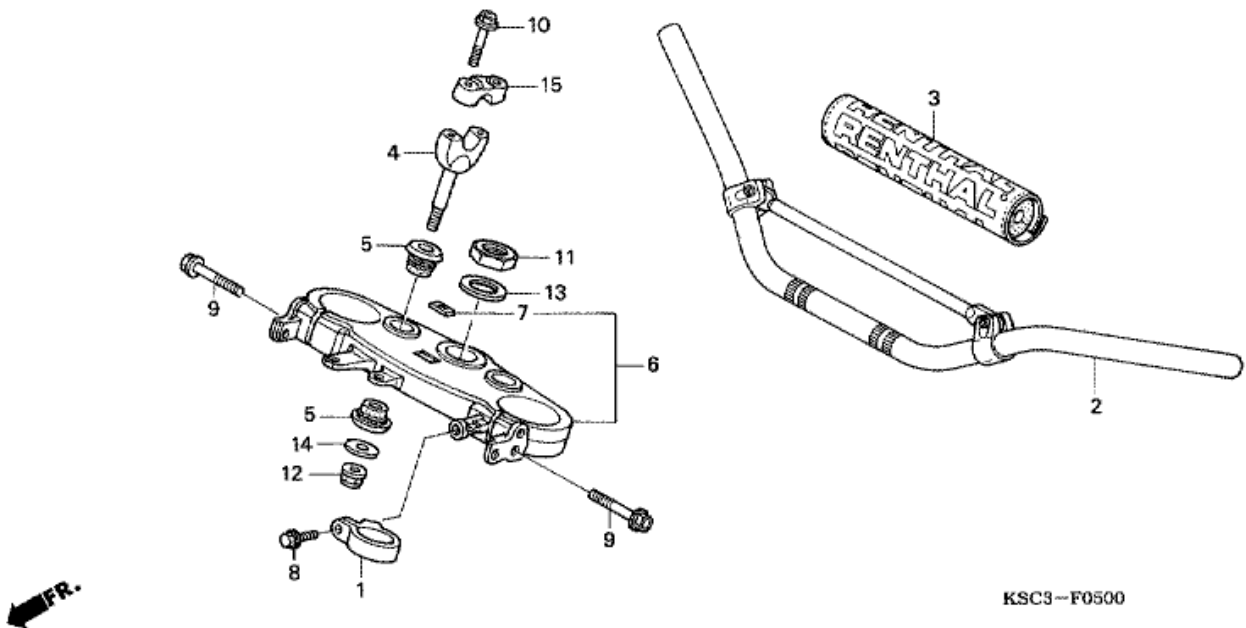
F-4 FR. BRAKE MASTER CYLINDER



Refnr	Artikelnummer	Beskrivning	Antal	Best. antal	Rep.antal	Pris SEK
1	45125-MEY-003	HOSE COMP., FR. BRAKE	001	0	0	1263,55
2	45504-KN5-006	SKYDDSDAMASK KOMP.	001	0	0	52,91
3	45510-KCE-671	CYLINDER SUB ASSY., FR. BRAKE MASTER (NISSIN)	001	0	0	2069,97
4	45513-KCE-671	CAP, MASTER CYLINDER	001	0	0	136,07
5	45517-GW0-751	HOLDER, MASTER CYLINDER	001	0	0	90,93
6	45518-KA3-731	SEPARATOR COMP.	001	0	0	63,92
7	45520-KA3-731	MEMBRAN	001	0	0	61,51
8	45523-KA3-731	RING	001	0	0	14,34
9	45523-MEB-003	RING	001	0	0	7,22
10	45530-KCE-671	PISTON SET, MASTER CYLINDER	001	0	0	400,53
11	53170-MEB-003	LEVER SET, R. HANDLE	001	0	0	181,86
12	53174-KN5-006	SPRING, BRAKE LEVER	001	0	0	17,21
13	53176-ML3-791	COVER, R. HANDLE LEVER	001	0	0	56,33
14	90111-MEB-003	BOLT SET, ADJUSTING	001	0	0	47,08
15	90114-166-006	BOLT, HANDLE LEVER PIVOT	001	0	0	38,20
16	90145-MS9-612	BOLT, OIL, 10X22	002	0	0	61,42
17	90545-300-000	WASHER, OIL BOLT	004	0	0	16,10
18	90651-MA5-671	FJÄDERRING	001	0	0	12,12
19	93600-04012-1G	SCREW, FLAT, 4X12	002	0	0	3,98
20	94050-06000	NUT, FLANGE, 6MM	001	0	0	6,75
21	96001-06022-00	BOLT, FLANGE, 6X22	002	0	0	7,49

CRF250X CRF250X6 2006 ED EXTREME RED

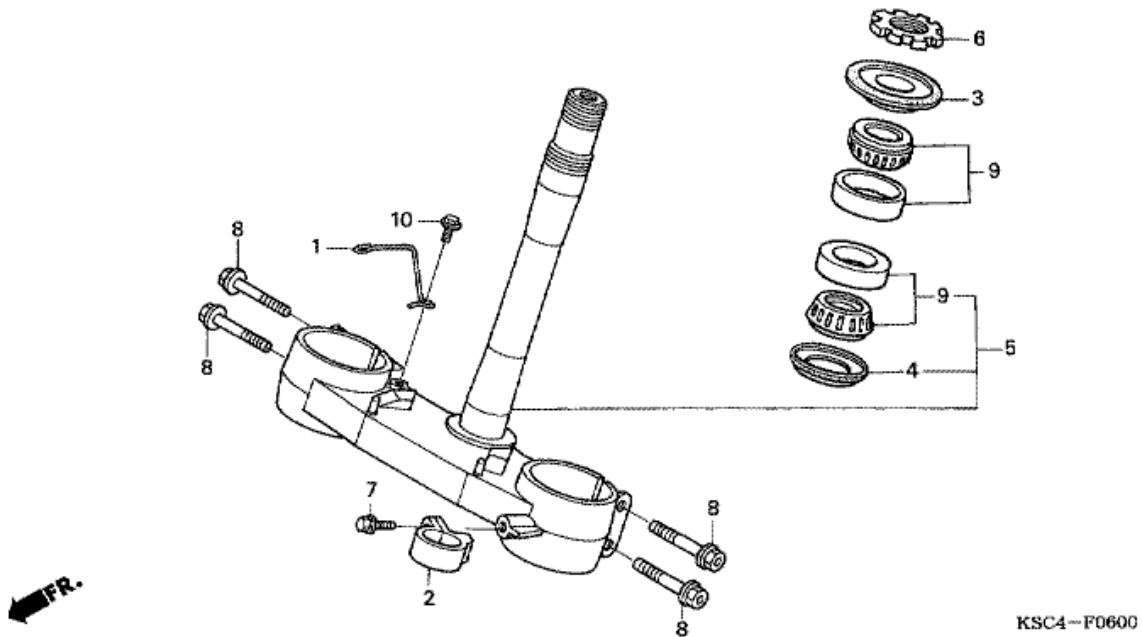
F-5 HANDLE PIPE/TOP BRIDGE



Refnr	Artikelnummer	Beskrivning	Antal	Best. antal	Rep.antal	Pris SEK
1	45468-KS7-830	GUIDE, FR. BRAKE HOSE	001	0	0	96,02
2	53100-MEN-670	PIPE, STEERING HANDLE	001	0	0	1252,73
3	53121-MEN-670	PROTECTOR, HANDLE	001	0	0	343,55
4	53132-KZ4-J20	HOLDER, HANDLE UNDER	002	0	0	165,76
4	53132-KA3-831	HOLDER, HANDLE UNDER	(2)	0	0	217,47
5	53133-KA3-832	CUSHION, HANDLE PIPE	004	0	0	26,27
6	53300-KSC-000	BRIDGE COMP., FORK TOP	001	0	0	1354,94
7	86150-KPG-901	EMBLEM, PRODUCT (MARUI)	001	0	0	19,43
8	90106-MJ0-000	BOLT, FLANGE, 6X16	001	0	0	21,00
9	90107-KZ4-J40	BOLT, FLANGE, 8X45	004	0	0	34,69
10	90124-KZ4-J40	BOLT, FLANGE, 8X35	004	0	0	37,46
11	90304-KZ4-J30	NUT, STEERING STEM	001	0	0	56,52
12	90306-KZ4-711	NUT, U, 10MM	002	0	0	19,52
13	90503-KZ4-J40	WASHER, STEERING STEM	001	0	0	16,00
14	90507-KA3-830	WASHER, PLAIN, 10MM	002	0	0	12,76
15	95014-22100	HOLDER B1, HANDLE PIPE UPPER	002	0	0	108,78

CRF250X CRF250X6 2006 ED EXTREME RED

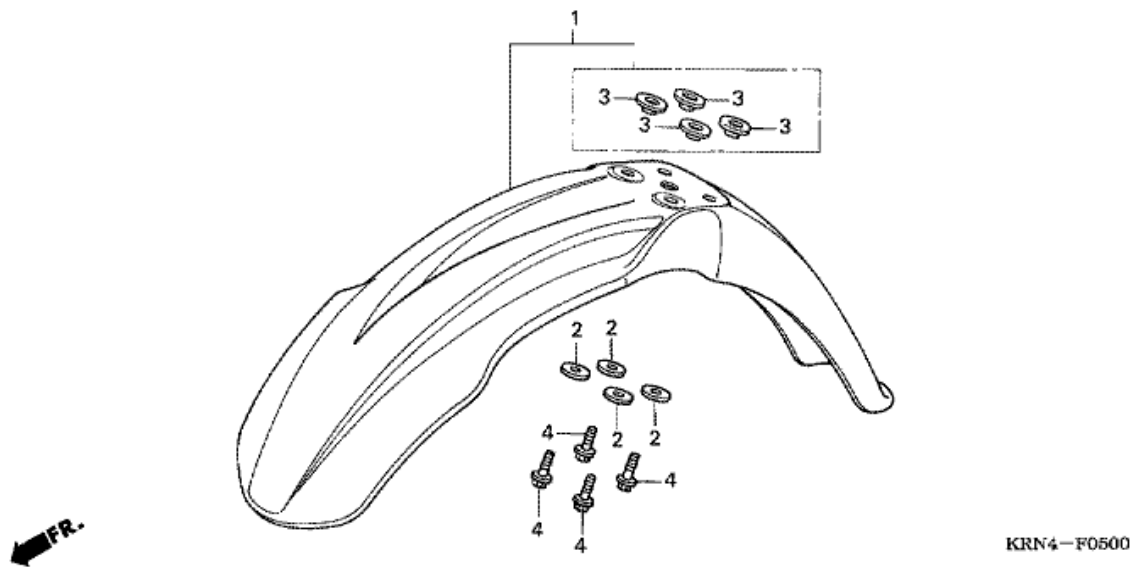
F-6 STEERING STEM



Refnr	Artikelnummer	Beskrivning	Antal	Best. antal	Rep.antal	Pris SEK
1	44832-KSC-A00	GUIDE, SPEEDOMETER CABLE	001	0	0	56,33
2	45468-KS7-830	GUIDE, FR. BRAKE HOSE	001	0	0	96,02
3	53214-KZ3-861	DUST SEAL, STEERING HEAD (ARAI)	001	0	0	48,66
4	53214-KZ4-701	DUST SEAL, STEERING HEAD (ARAI)	001	0	0	47,73
5	53219-KSC-000	STEM SUB ASSY., STEERING	001	0	0	3837,55
6	53229-KZ4-J30	THREAD, STEERING HEAD TOP	001	0	0	85,84
7	90106-MJ0-000	BOLT, FLANGE, 6X16	001	0	0	21,00
8	90107-KZ4-J40	BOLT, FLANGE, 8X45	004	0	0	34,69
9	91015-KZ4-701	BEARING, HEAD PIPE (NTN)	002	0	0	265,57
10	95701-06010-00	BOLT, FLANGE, 6X10	001	0	0	6,75

CRF250X CRF250X6 2006 ED EXTREME RED

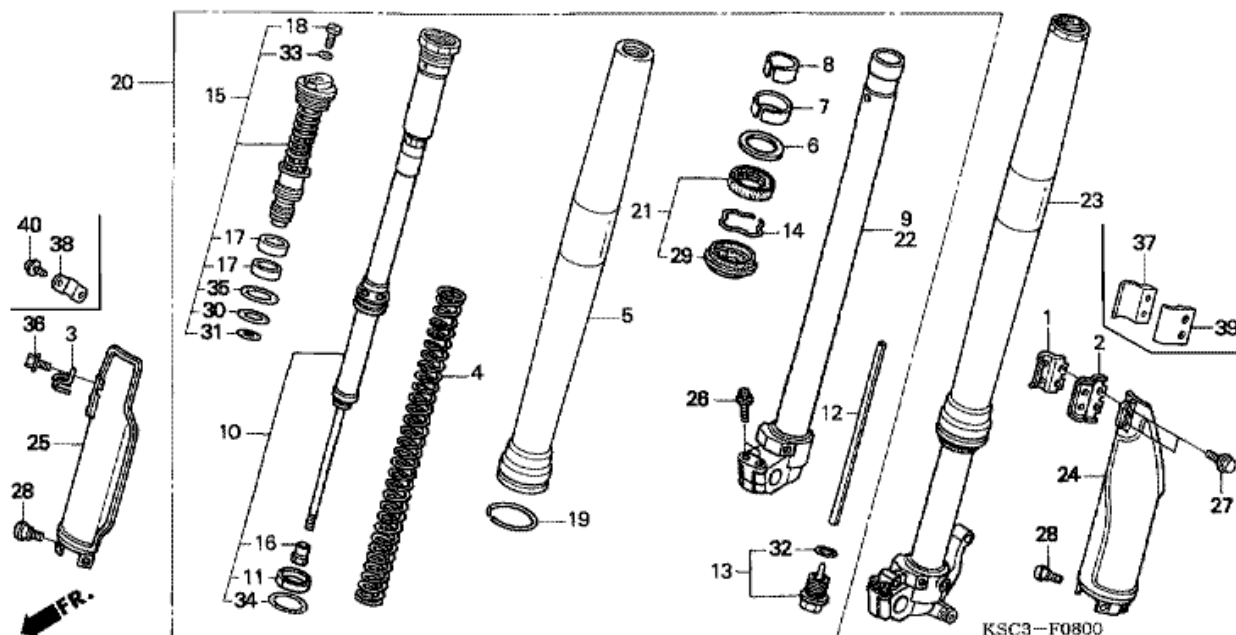
F-7 FRONT FENDER



Refnr	Artikelnummer	Beskrivning	Antal	Best. antal	Rep.antal	Pris SEK
1	61110-MEN-670	FENDER SUB ASSY., FR.	001	0	0	797,44
2	90506-430-000	WASHER, FENDER MOUNTING	004	0	0	28,49
3	90512-KZ4-J20	COLLAR, FR. FENDER	004	0	0	36,72
4	96001-06016-00	BOLT, FLANGE, 6X16	004	0	0	6,01

CRF250X CRF250X6 2006 ED EXTREME RED

F-8 FRONT FORK

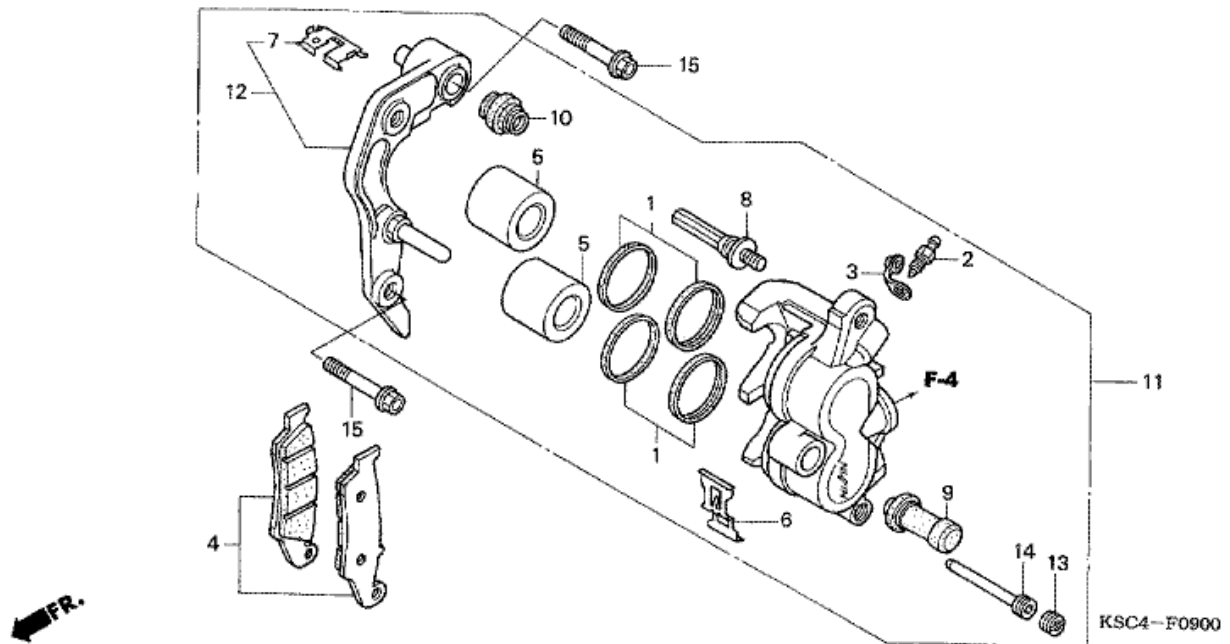


Refnr	Artikelnummer	Beskrivning	Antal	Best. antal	Rep.antal	Pris SEK
4	51401-KSC-003	SPRING, FR. FORK (SHOWA) (4.12N/MM,0.42KGF/MM)	002	0	0	503,48
4	51402-KSC-003	SPRING, FR. FORK (SHOWA) (3.92N/MM,0.40KGF/MM)	(2)	0	0	503,48
4	51403-KSC-003	SPRING, FR. FORK (SHOWA) (4.31N/MM,0.44KGF/MM)	(2)	0	0	503,48
5	51410-MEY-003	TUBE, OUTER	002	0	0	3431,66
6	51412-KZ3-B01	RING, BACK UP	002	0	0	44,59
7	51414-KZ3-B01	BUSH, GUIDE	002	0	0	96,29
8	51415-KZ3-B01	BUSH, SLIDER	002	0	0	96,29
9	51420-KSC-A01	PIPE COMP., R. SLIDE	001	0	0	2628,85
10	51430-KSC-A01	DAMPER COMP., FR.	002	0	0	2812,46
11	51431-KZ3-B01	BUSH B, SLIDER	002	0	0	105,73
12	51437-KZ3-J41	COLLAR, REBOUND NEEDLE	002	0	0	86,77
13	51440-KSC-003	BOLT COMP., CENTER	002	0	0	215,90
14	51447-KZ3-003	RING, OIL SEAL STOPPER	002	0	0	28,49
15	51450-KSC-A01	BOLT ASSY., FR. FORK	002	0	0	1250,69
16	51451-KZ3-B01	NUT, LOCK	002	0	0	62,72
17	51453-KZ3-B01	BUSH C, SLIDER	004	0	0	38,57
18	51456-KZ3-J41	BOLT, PLUG	002	0	0	50,23
19	51476-MEY-003	RING, WEAR	002	0	0	37,37
20	51480-KSC-A01	FORK SUB ASSY., R. FR.	001	0	0	9917,57
21	51490-KSC-003	SEAL SET, FR. FORK	002	0	0	239,39
22	51520-KSC-A01	PIPE COMP., L. SLIDE	001	0	0	3167,66
23	51580-KSC-A01	FORK SUB ASSY., L. FR.	001	0	0	7730,13
24	51620-MEN-000ZA	PROTECTOR, L. FR. FORK *TNATURAL * (TNATURAL NATURAL)	001	0	0	347,62
25	51610-MEY-000ZA	PROTECTOR, R. FR. FORK *TNATURAL * (TNATURAL NATURAL)	001	0	0	347,62
26	90108-KZ4-J40	BOLT, FLANGE, 8X40	004	0	0	34,69
27	90113-KZ3-000	BOLT, FLANGE, 6MM	002	0	0	25,16

28	90113-MAC-780	BOLT, PROTECTOR	006	0	0	21,00
29	91254-KSC-003	DAMMTNING	002	0	0	104,43
30	91256-KZ3-A71	O-RING, 26.7X3.5	002	0	0	26,27
31	91257-MEB-751	O-RING, 27.7X1.9	002	0	0	26,27
32	91258-KZ3-B01	O-RING, 18.8X1.9	002	0	0	15,45
33	91301-KZ3-711	O-RING, 3.5X1.5	002	0	0	8,05
34	91356-KZ3-003	O-RING, 44.7X2.4	002	0	0	29,69
35	91356-MW0-003	O-RING, 37.2X2.4 (SHOWA)	002	0	0	18,22
37	45461-MEN-000	CLAMPER A, FR. BRAKE HOSE	001	0	0	53,00
38	45461-MEY-670	GUIDE, SPEEDOMETER CABLE	001	0	0	68,91
39	45462-MEN-000	CLAMPER B, FR. BRAKE HOSE	001	0	0	39,13
40	93913-14110	SCREW, TAPPING, 4X10	002	0	0	2,78

CRF250X CRF250X6 2006 ED EXTREME RED

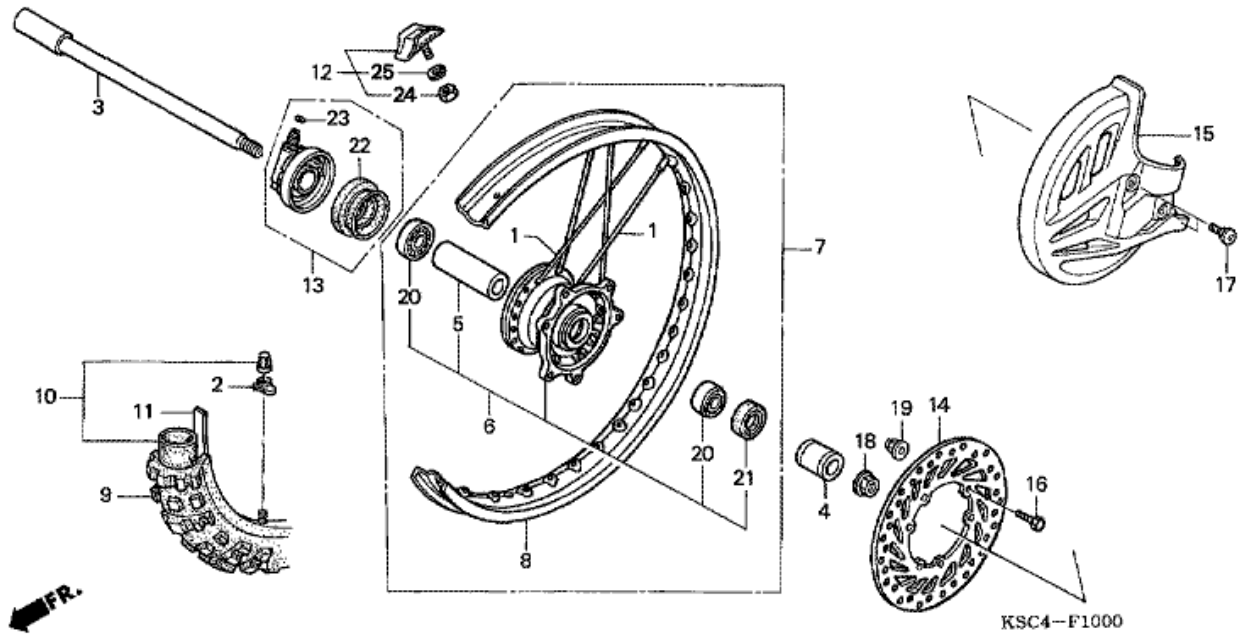
F-9 FRONT BRAKE CALIPER



Refnr	Artikelnummer	Beskrivning	Antal	Best. antal	Rep.antal	Pris SEK
1	06431-MA3-405	SEAL SET, PISTON	002	0	0	74,28
2	43352-568-003	SCREW, BLEEDER (NISSIN)	001	0	0	44,49
3	43353-461-771	CAP, BLEEDER	001	0	0	31,45
4	45105-MY6-405	PAD SET, FR.	001	0	0	349,65
5	45107-KZ4-J31	KOLV	002	0	0	224,50
6	45108-MY1-006	SPRING, PAD	001	0	0	24,14
7	45112-KS6-701	RETAINER	001	0	0	33,95
8	45131-HA5-672	BOLT A, PIN	001	0	0	80,66
9	45132-166-016	BOOT, PIN BUSH (NISSIN)	001	0	0	21,74
10	45133-MA3-006	SKYDDSDAMASK B	001	0	0	31,45
11	45150-MEN-006	CALIPER SUB ASSY., L. FR. BRAKE (NISSIN)	001	0	0	1879,42
12	45190-MEN-006	BRACKET SUB ASSY., L. FR. CALIPER	001	0	0	629,46
13	45203-MG3-016	PLUG, PIN	001	0	0	28,49
14	45215-HA5-672	PIN, HANGER	001	0	0	21,55
15	90110-KZ4-J40	BOLT, FLANGE, 8X40	002	0	0	51,89

CRF250X CRF250X6 2006 ED EXTREME RED

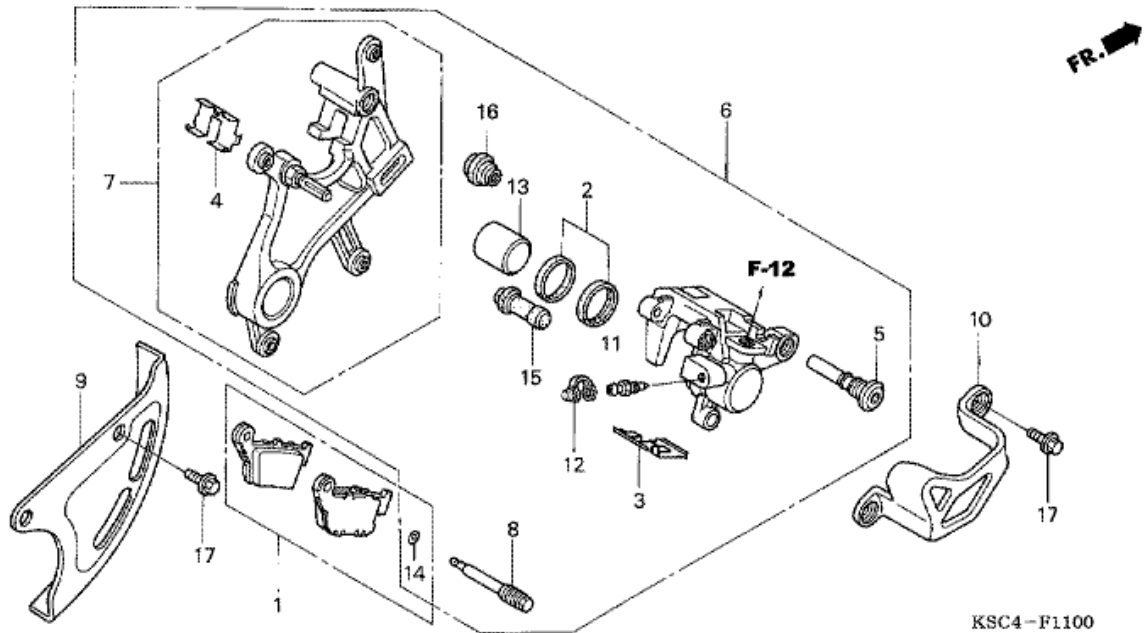
F-10 FRONT WHEEL



Refnr	Artikelnummer	Beskrivning	Antal	Best. antal	Rep.antal	Pris SEK
1	06440-KZ4-J40	SPOKE SET, FR. (240MM)	036	0	0	29,14
2	42714-KA3-710	CAP, VALVE	001	0	0	62,44
3	44301-KSC-000	AXLE, FR. WHEEL	001	0	0	379,34
4	44311-KZ4-J40	COLLAR, L. FR. WHEEL	001	0	0	89,36
5	44620-MAC-680	COLLAR, FR. DISTANCE	001	0	0	113,41
6	44635-KSC-000	HUB SUB ASSY., FR.	001	0	0	1916,04
7	44650-KSC-000	WHEEL SUB ASSY., FR.	001	0	0	5376,19
8	44701-MEN-003	RIM, FR. WHEEL (21X1.60)	001	0	0	2313,80
9	44711-MEY-641	TIRE, FR. (BRIDGESTONE) (90/90-21 M/C 54R)	001	0	0	0,00
10	44712-KA3-711	TUBE, TIRE (BRIDGESTONE)	001	0	0	370,74
11	44713-MG7-003	FLAP, TIRE (BRIDGESTONE)	001	0	0	53,56
12	44715-MA0-770	STOPPER, BEAD (1.60)	001	0	0	263,90
13	44800-KSC-003	BOX ASSY., SPEEDOMETER GEAR	001	0	0	771,08
14	45351-KZ4-J30	DISK, FR. BRAKE	001	0	0	1335,79
15	51614-KZ4-J41ZA	COVER, FR. DISK *TNATURAL * (TNATURAL NATURAL)	001	0	0	208,50
16	90105-MAC-680	BOLT, DISK, 6X19	006	0	0	19,15
17	90114-MAC-780	BOLT, FR. DISK COVER	002	0	0	18,04
18	90301-KZ4-J40	NUT, FR. AXLE	001	0	0	124,14
19	90301-473-003	NUT, U, 6MM	006	0	0	25,07
20	91062-MAC-681	BEARING, RADIAL BALL, 6904	002	0	0	96,85
21	91201-KS6-004	OIL SEAL, 26X37X7 (ARAI)	001	0	0	76,22
22	91251-KSC-003	DUST SEAL, 46X58X7	001	0	0	75,94
23	91319-ME5-003	O-RING, 5.5X1.4	001	0	0	11,38
24	94001-08000-0S	NUT, HEX., 8MM	001	0	0	3,98
25	94111-08000	WASHER, SPRING, 8MM	001	0	0	6,01

CRF250X CRF250X6 2006 ED EXTREME RED

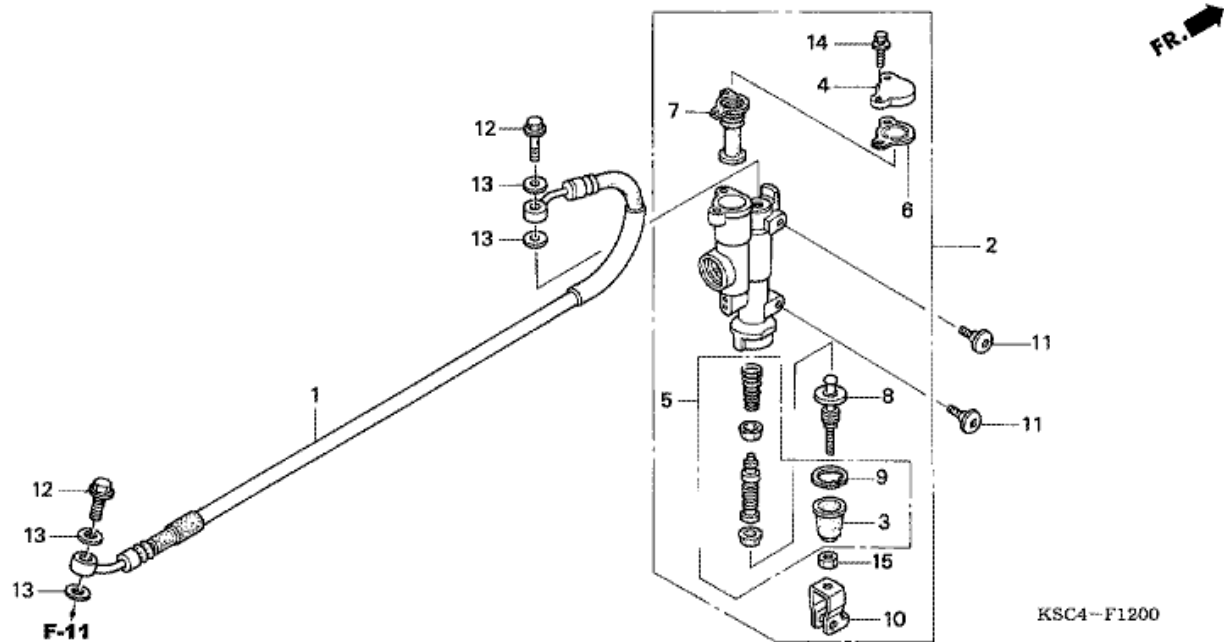
F-11 REAR BRAKE CALIPER



Refnr	Artikelnummer	Beskrivning	Antal	Best. antal	Rep.antal	Pris SEK
1	06435-KRN-711	PAD SET, RR.	001	0	0	349,65
2	06451-MZ2-405	SEAL SET, PISTON	001	0	0	59,29
3	43108-KZ4-J41	SPRING, PAD	001	0	0	32,56
4	43112-KZ4-J41	RETAINER, BRACKET	001	0	0	30,62
5	43131-KW3-006	BOLT, PIN	001	0	0	29,14
6	43150-KRN-711	CALIPER SUB ASSY., RR. BRAKE (NISSIN)	001	0	0	2340,71
7	43190-KRN-711	BRACKET SUB ASSY., RR.	001	0	0	1113,05
8	43215-KZ4-J41	PIN, HANGER	001	0	0	43,85
9	43330-KZ4-J40ZA	COVER, RR. DISK *TNATURAL * (TNATURAL NATURAL)	001	0	0	140,69
10	43340-MEY-000ZA	GUARD, RR. CALIPER *TNATURAL * (TNATURAL NATURAL)	001	0	0	164,19
11	43352-568-003	SCREW, BLEEDER (NISSIN)	001	0	0	44,49
12	43353-461-771	CAP, BLEEDER	001	0	0	31,45
13	45107-MCT-006	KOLV (22 A)	001	0	0	229,40
14	45111-MAJ-G41	RING, STOPPER	001	0	0	9,99
15	45132-166-016	BOOT, PIN BUSH (NISSIN)	001	0	0	21,74
16	45133-MA3-006	SKYDDSDAMASK B	001	0	0	31,45
17	90004-GHB-600	BOLT, FLANGE, 6X10 (NSHF)	004	0	0	33,21

CRF250X CRF250X6 2006 ED EXTREME RED

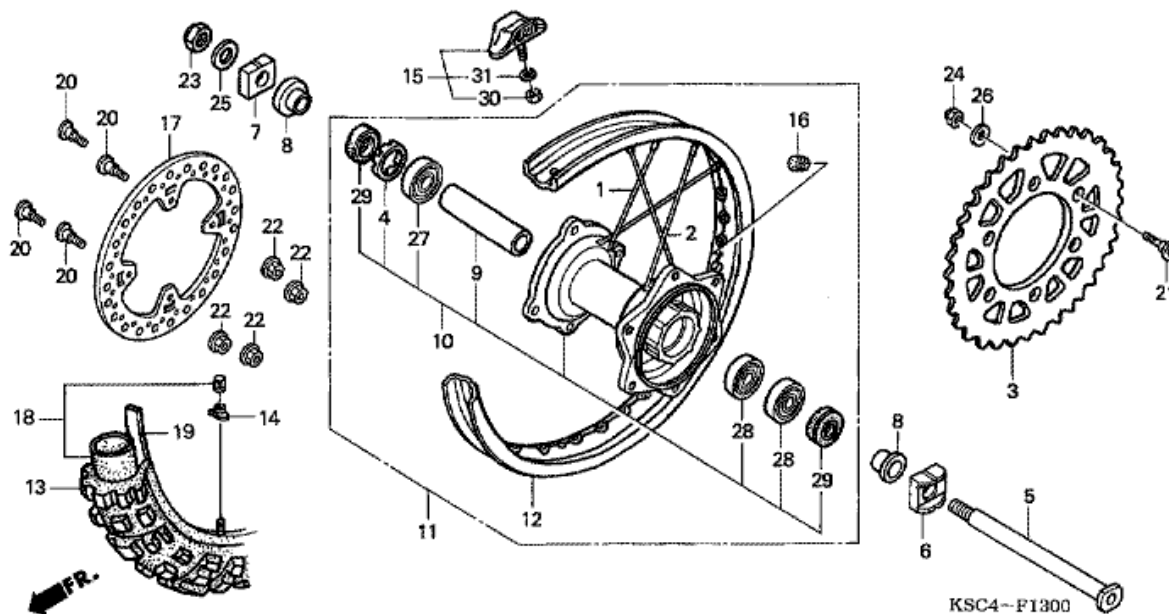
F-12 RR. BRAKE MASTER CYLINDER



Refnr	Artikelnummer	Beskrivning	Antal	Best. antal	Rep.antal	Pris SEK
1	43310-KZ4-J41	HOSE, RR. BRAKE	001	0	0	502,18
2	43500-KZ4-J42	CYLINDER ASSY., RR. BRAKE MASTER (NISSIN)	001	0	0	1619,21
3	43504-MB2-006	SKYDDSDAMASK KOMP.	001	0	0	44,40
4	43513-KZ4-J41	CAP, MASTER CYLINDER	001	0	0	28,12
5	43520-KZ4-J42	PISTON SET, MASTER CYLINDER	001	0	0	400,53
6	43521-KZ4-J41	PLATE, DIAPHRAGM	001	0	0	33,76
7	43522-KZ4-J41	MEMBRAN	001	0	0	113,78
8	43530-KZ4-J41	ROD COMP., PUSH	001	0	0	133,57
9	46182-500-013	FJNDERRING	001	0	0	19,61
10	46504-KZ4-J41	JOINT, BRAKE ROD	001	0	0	42,92
11	90114-MAC-780	BOLT, FR. DISK COVER	002	0	0	18,04
12	90145-MS9-612	BOLT, OIL, 10X22	002	0	0	61,42
13	90545-300-000	WASHER, OIL BOLT	004	0	0	16,10
14	93401-04016-00	BOLT-WASHER, 4X16	002	0	0	4,26
15	94002-06000-0S	NUT, HEX., 6MM	001	0	0	5,74

CRF250X CRF250X6 2006 ED EXTREME RED

F-13 REAR WHEEL

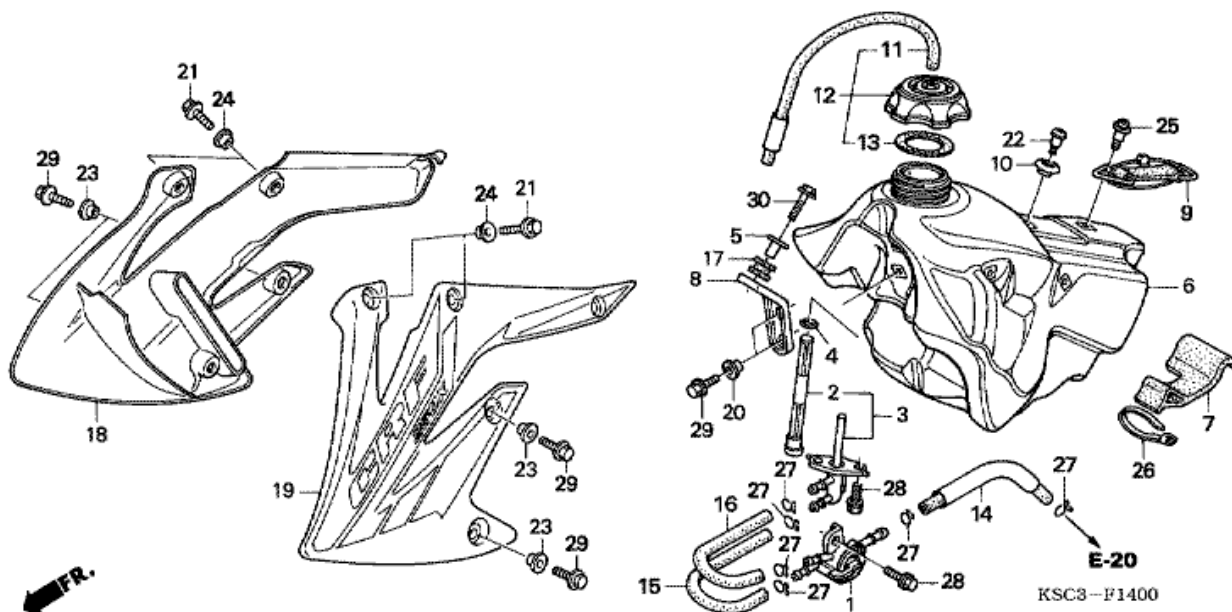


Refnr	Artikelnummer	Beskrivning	Antal	Best. antal	Rep.antal	Pris SEK
1	06420-MEY-000	SPOKE SET, RR. (INSIDE)	016	0	0	30,62
2	06421-MEY-000	SPOKE SET, RR. (OUTSIDE)	016	0	0	30,62
3	41204-KZ4-J30	SPROCKET, FINAL DRIVEN (53T)	001	0	0	793,93
3	41201-KSR-J00	SPROCKET, FINAL DRIVEN (54T)	(1)	0	0	751,56
3	41203-KZ4-J30	SPROCKET, FINAL DRIVEN (52T)	(1)	0	0	899,75
4	41231-KZ4-J20	RETAINER, RR. WHEEL BEARING	001	0	0	128,30
5	42301-KZ4-J40	AXLE, RR. WHEEL	001	0	0	605,60
6	42305-KZ4-J40	COLLAR, L. RR. AXLE	001	0	0	134,40
7	42306-KZ4-J20	COLLAR, R. RR. AXLE	001	0	0	124,69
8	42311-KZ4-J40	COLLAR, RR. WHEEL SIDE	002	0	0	135,70
9	42620-KZ4-J20	COLLAR, RR. WHEEL DISTANCE	001	0	0	237,91
10	42635-KRN-710	HUB SUB ASSY., RR.	001	0	0	2716,08
11	42650-MEY-000	WHEEL SUB ASSY., RR.	001	0	0	7014,46
12	42701-KSC-003	RIM, RR. WHEEL (18X2.15)	001	0	0	2636,99
13	42711-KSC-D01	TIRE, RR. (120/90-18 M/C 65R) (BRIDGESTONE)	001	0	0	2436,36
14	42714-KA3-710	CAP, VALVE	001	0	0	62,44
15	42715-MA0-770	STOPPER, BEAD (2.15)	001	0	0	323,10
16	42717-329-000	CAP, RIM HOLE	001	0	0	40,79
17	43351-KZ4-J40	DISK, RR. BRAKE	001	0	0	1483,79
18	44712-434-003	TUBE, TIRE (3.00-23) (BRIDGESTONE)	001	0	0	404,97
19	44713-300-003	FLAP, TIRE (BRIDGESTONE) (19)	001	0	0	53,56
20	90105-MAC-680	BOLT, DISK, 6X19	004	0	0	19,15
21	90125-KA4-000	SCREW, FLAT, 8X31	006	0	0	18,87
22	90301-473-003	NUT, U, 6MM	004	0	0	25,07
23	90305-KZ4-J20	NUT, U, 22MM	001	0	0	62,44
24	90309-ML3-791	NUT, U, 8MM	006	0	0	27,84
25	90401-KZ4-J20	WASHER, 22X35X2	001	0	0	26,92
26	90465-MC4-000	WASHER, 8MM	006	0	0	25,07
27	91051-KZ4-J21	BEARING, RADIAL BALL, 69052RS	001	0	0	169,37

28	91052-KZ4-J21	BEARING, RADIAL BALL, 6905RS	002	0	0	159,19
29	91251-KZ4-J21	DUST SEAL, 32X43X7	002	0	0	58,64
30	94001-08000-0S	NUT, HEX., 8MM	001	0	0	3,98
31	94111-08000	WASHER, SPRING, 8MM	001	0	0	6,01

CRF250X CRF250X6 2006 ED EXTREME RED

F-14 FUEL TANK

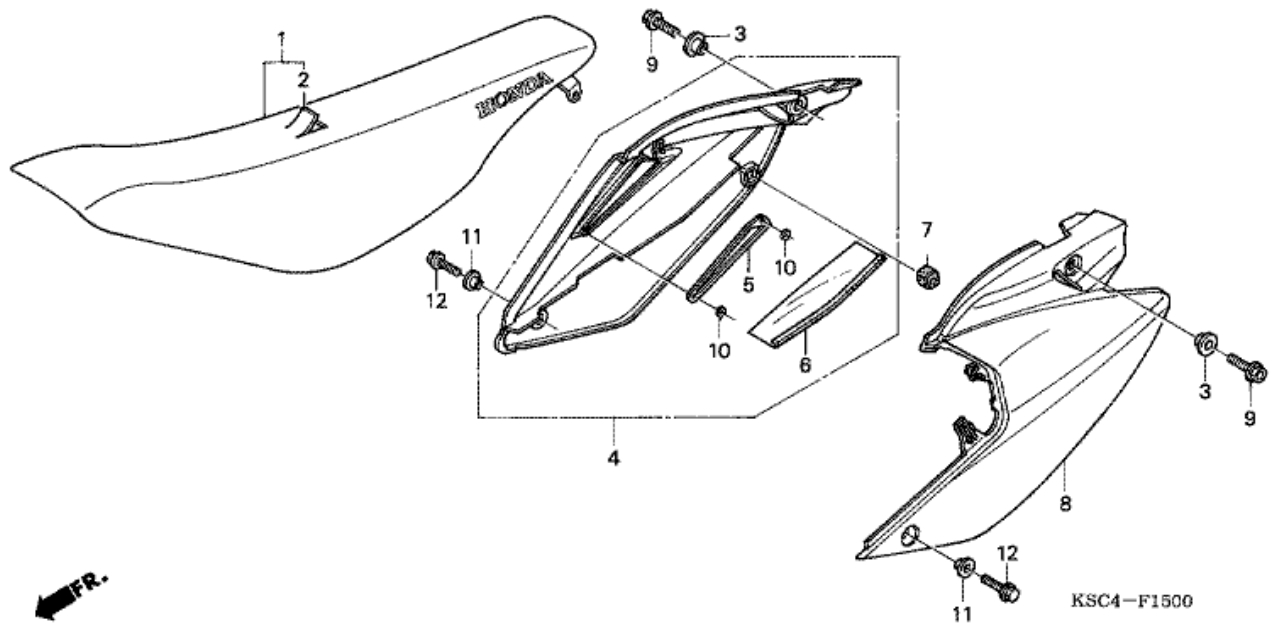


Refnr	Artikelnummer	Beskrivning	Antal	Best. antal	Rep.antal	Pris SEK
1	16950-KSC-003	COCK ASSY., FUEL	001	0	0	274,26
2	16952-KCY-671	SCREEN SET, FUEL STRAINER	001	0	0	139,58
3	16955-KSC-003	JOINT ASSY., FUEL	001	0	0	294,71
4	16997-467-000	O-RING, 11.8X3.55	001	0	0	30,62
5	17509-KZ3-B00	COLLAR, TANK SETTING	001	0	0	44,86
6	17510-KSC-000	TANK COMP., FUEL	001	0	0	4744,79
7	17512-KRN-000	RUBBER, FUEL TANK MOUNTING	001	0	0	97,49
8	17515-KSC-000	STAY, FR. TANK	001	0	0	50,04
9	17516-KZ3-B00	BAND, TANK RR.	001	0	0	86,12
10	17518-KZ4-710	COLLAR, SEAT FR.	001	0	0	28,49
11	17521-KZ4-J20	TUBE COMP., FUEL CAP BREATHER	001	0	0	51,06
12	17620-MEB-670	CAP ASSY., FUEL TANK	001	0	0	266,22
13	17624-KT1-780	PACKING, FUEL CAP	001	0	0	23,59
14	17681-KSC-000	TUBE B, FUEL	001	0	0	33,86
15	17684-KSC-000	TUBE A, FUEL MAIN	001	0	0	33,86
16	17685-KSC-000	TUBE A, FUEL RESERVE	001	0	0	33,86
17	18334-ML3-680	RUBBER, SILENCER	001	0	0	21,74
18	19071-KSC-A00ZA	SHROUD SET, R. RADIATOR (WL) *TYPE1 * (TYPE1)	001	0	0	674,88
19	19072-KSC-A00ZA	SHROUD SET, L. RADIATOR (WL) *TYPE1 * (TYPE1)	001	0	0	674,88
20	84706-415-000	HJULRING	002	0	0	18,87
21	90106-KRN-000	BOLT, FLANGE, 5X12	004	0	0	18,78
22	90108-MN0-000	SCREW, PAN, 5X13	001	0	0	12,86
23	90501-KZ4-J20	HJULRING A	004	0	0	32,84
24	90502-KRN-000	COLLAR, SHROUD UPPER	004	0	0	25,72
25	91422-MT8-770	SCREW, SPECIAL, 5MM	001	0	0	15,73
26	91560-MS8-600	TY-RAP, CABLE	001	0	0	10,36
27	95002-02120	CLIP, TUBE (B12)	006	0	0	4,90
28	96001-06016-00	BOLT, FLANGE, 6X16	003	0	0	6,01
29	96001-06018-00	BOLT, FLANGE, 6X18	006	0	0	8,23

30	96001-06030-00	BOLT, FLANGE, 6X30	001	0	0	8,97
----	----------------	--------------------	-----	---	---	------

CRF250X CRF250X6 2006 ED EXTREME RED

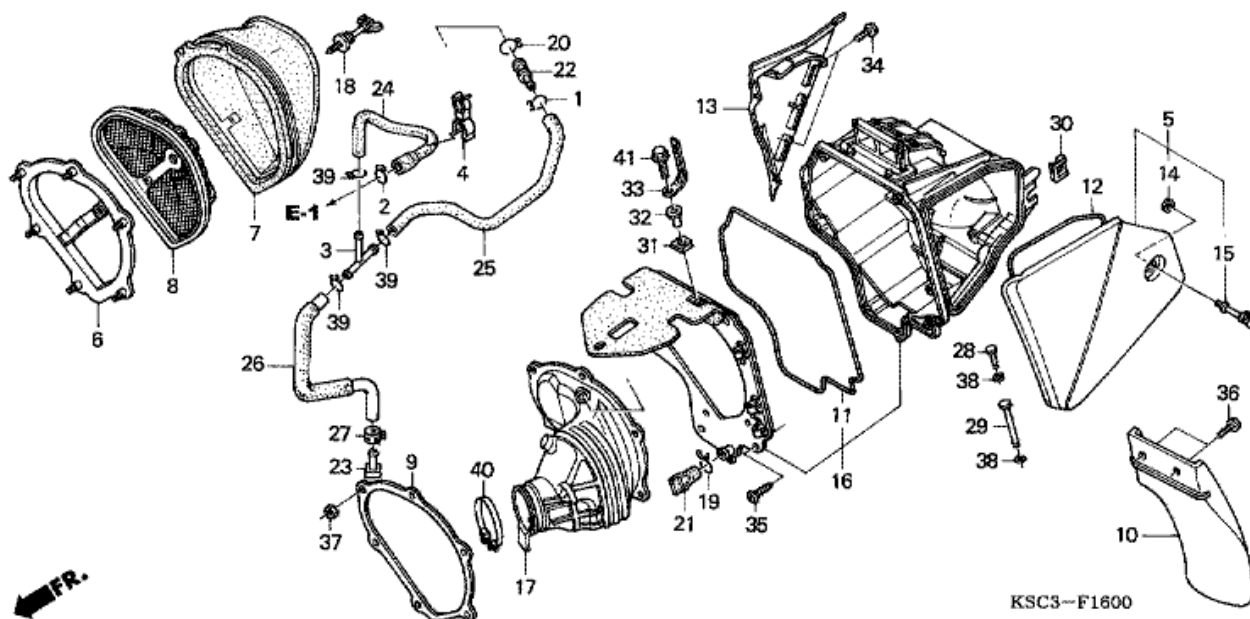
F-15 SEAT/SIDE COVER



Refnr	Artikelnummer	Beskrivning	Antal	Best. antal	Rep.antal	Pris SEK
1	77100-KSC-010	SEAT COMP.	001	0	0	1654,09
2	77101-KSC-000	LEATHER COMP., SEAT (NO LETTERS PRINTED)	001	0	0	898,08
3	83505-KM4-000	COLLAR, TOOL BOX SETTING	002	0	0	36,72
4	83510-KSC-000	COVER, R. SIDE	001	0	0	666,46
5	83513-KSC-000	PLATTA	001	0	0	171,68
6	83514-KSC-000	VÄRMESKYDD	001	0	0	102,21
7	83515-KS7-830	RUBBER, SIDE COVER STOPPER	001	0	0	18,59
8	83610-KSC-000	COVER, L. SIDE	001	0	0	385,17
9	90123-MEN-670	BOLT, FLANGE, 8X16 (SH)	002	0	0	25,90
10	90313-GAH-780	NUT, SPEED, 3MM	002	0	0	21,74
11	90501-KZ4-J20	HJULRING A	002	0	0	32,84
12	96001-06014-00	BOLT, FLANGE, 6X14	002	0	0	8,23

CRF250X CRF250X6 2006 ED EXTREME RED

F-16 AIR CLEANER

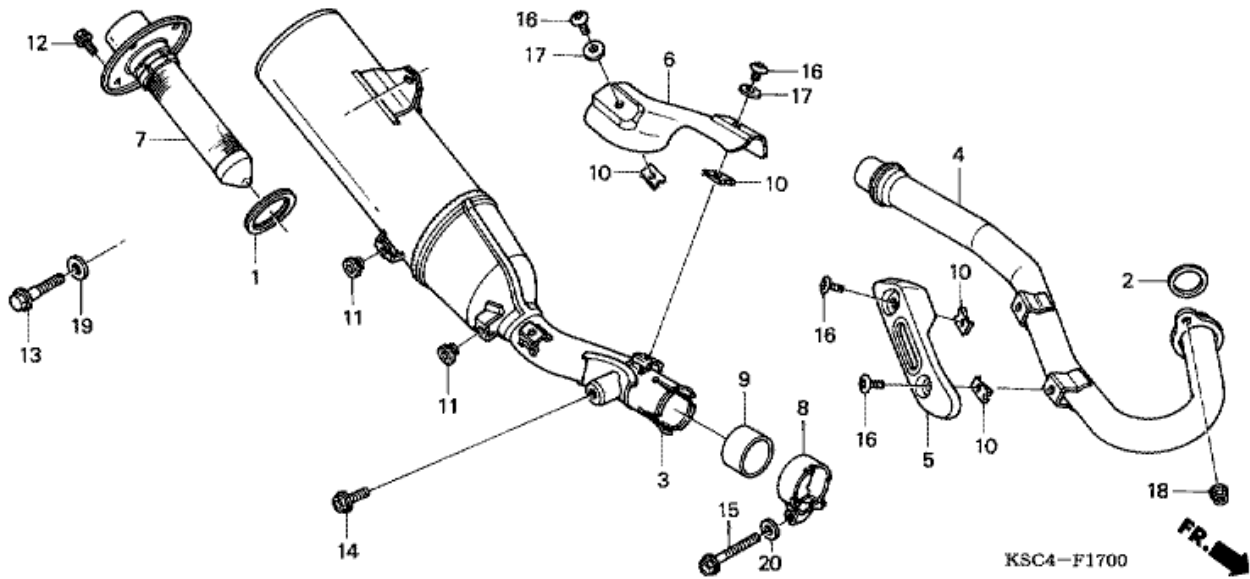


Refnr	Artikelnummer	Beskrivning	Antal	Best. antal	Rep.antal	Pris SEK
1	15707-634-000	CLIP, OIL DRAIN TUBE	001	0	0	21,09
2	15771-551-000	CLIP, OIL DRAIN TUBE	001	0	0	42,27
3	16959-MY1-000	JOINT, FUEL TUBE	001	0	0	91,76
4	16965-VM0-771	CLAMP, HOSE	001	0	0	25,81
5	17211-KSC-000	COVER ASSY., AIR CLEANER	001	0	0	348,26
6	17212-MEN-670	STAY, AIR CLEANER ELEMENT	001	0	0	650,74
7	17213-KSC-000	ELEMENT, AIR CLEANER	001	0	0	463,61
8	17214-MEN-670	BASE ASSY., ELEMENT	001	0	0	361,40
9	17217-MEB-770	PLATE, AIR CLEANER CASE FR.	001	0	0	105,54
10	17218-KRN-000	MUDGUARD, AIR CLEANER CASE	001	0	0	291,28
11	17218-KSC-000	SEAL, AIR CLEANER CASE	001	0	0	35,06
12	17219-KSC-000	SEAL, AIR CLEANER COVER (A)	001	0	0	30,34
13	17221-KSC-000	COVER, R. SIDE	001	0	0	113,41
14	17224-KN5-670	WASHER, AIR CLEANER COVER SETTING	001	0	0	15,26
15	17225-KN5-670	STUD, 6X21	001	0	0	64,10
16	17250-KSC-010	CASE COMP., AIR CLEANER	001	0	0	744,72
17	17253-KSC-000	TUBE, AIR CLEANER CONNECTING	001	0	0	343,82
18	17291-KSC-000	BOLT, ELEMENT SETTING	001	0	0	93,89
19	17316-MN1-670	CLIP A, BREATHER TUBE	001	0	0	17,21
20	17316-611-000	CLIP, BREATHER TUBE	001	0	0	25,62
21	17358-HA0-680	TUBE, DRAIN	001	0	0	23,59
22	17359-MAG-L00	JOINT, BREATHER TUBE	001	0	0	37,28
23	17370-419-700	PLUG, BREATHER TUBE	001	0	0	16,37
24	17372-KRN-000	TUBE A, BREATHER	001	0	0	71,13
25	17374-KRN-000	TUBE B, BREATHER	001	0	0	71,13
26	17375-KSC-000	TUBE C, BREATHER	001	0	0	62,35
27	43514-KS6-701	CLAMP, MASTER CYLINDER OIL HOSE	001	0	0	33,21
28	53189-GCS-000	PIN, BRAKE LOCK LEVER PIVOT	001	0	0	9,71
29	64308-GG2-000	PIN, VISOR HINGE	001	0	0	20,07

30	64508-KV3-000	PLATE, SPRING	001	0	0	41,90
31	90305-GK8-000	NUT, CLIP, 6MM	001	0	0	14,34
32	90501-KRN-000	COLLAR, AIR CLEANER	001	0	0	32,38
33	91413-679-000	CLIP, 2X70	001	0	0	16,47
34	93903-24380	SCREW, TAPPING, 4X12	002	0	0	1,94
35	93903-25380	SCREW, TAPPING, 5X16	007	0	0	5,27
36	93913-25410	SCREW, TAPPING, 5X16 (PO)	002	0	0	1,94
37	94002-05070-0S	NUT, HEX., 5MM	006	0	0	5,74
38	94540-03010	E-RING, 3MM	002	0	0	8,97
39	95002-02120	CLIP, TUBE (B12)	003	0	0	4,90
40	95018-60321	BAND, AIR CLEANER CONNECTING TUBE (60)	001	0	0	36,54
41	96001-06016-00	BOLT, FLANGE, 6X16	001	0	0	6,01

CRF250X CRF250X6 2006 ED EXTREME RED

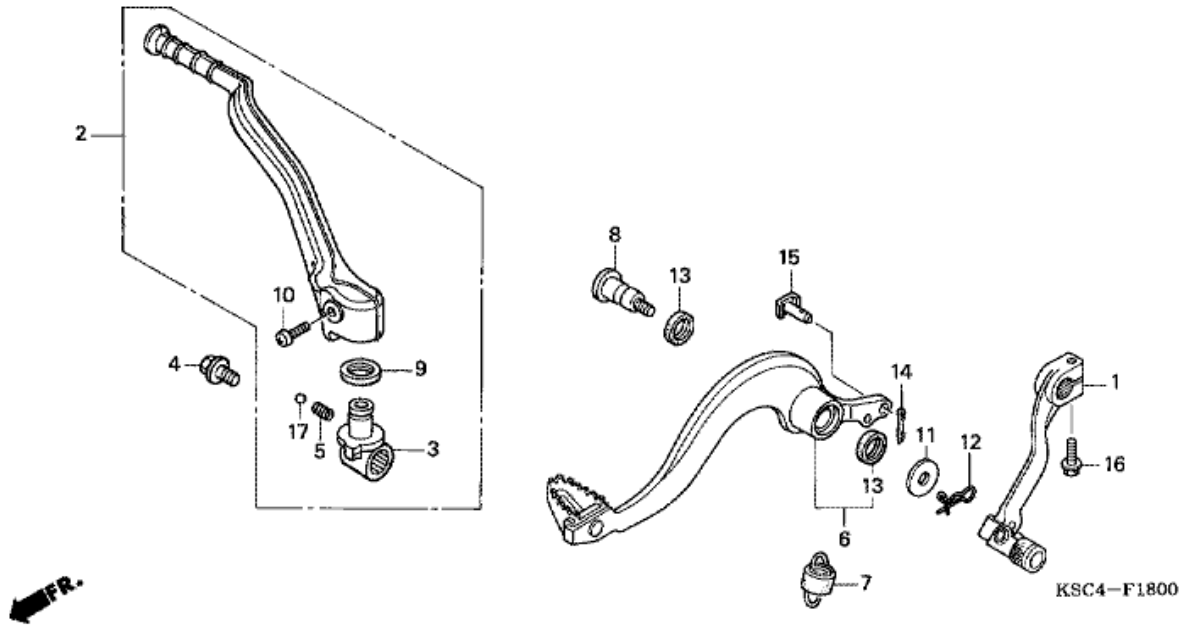
F-17 EXHAUST MUFFLER



Refnr	Artikelnummer	Beskrivning	Antal	Best. antal	Rep.antal	Pris SEK
1	18291-KPS-900	GASKET, EX. MUFFLER	001	0	0	44,77
2	18291-MM5-860	GASKET, EX. PIPE	001	0	0	19,98
3	18310-KSC-010	LJUDDÄMPARE KOMP.	001	0	0	6293,88
4	18320-KSC-000	PIPE COMP., EX.	001	0	0	2066,27
5	18323-KRN-000	PROTECTOR, EX. PIPE	001	0	0	365,10
6	18324-KRN-000	PROTECTOR, MUFFLER	001	0	0	410,70
7	18355-KSC-000	AVLEDARE	001	0	0	2052,39
8	18374-MG7-701	BAND, L. MUFFLER	001	0	0	153,27
9	18392-MK4-000	PACKING, MUFFLER	001	0	0	54,95
10	19508-KA3-710	NUT, SPRING, 6MM	004	0	0	23,22
11	83512-KA4-700	RUBBER, SIDE COVER	002	0	0	28,49
12	90101-KCE-000	BOLT, FLANGE, 6X10	004	0	0	23,03
13	90101-KZ3-J50	BOLT, FLANGE, 8X24	001	0	0	27,57
14	90123-KZ4-J40	BOLT, FLANGE, 8X18	001	0	0	33,21
15	90124-KZ4-J40	BOLT, FLANGE, 8X35	001	0	0	37,46
16	90170-MEB-670	BOLT, SPECIAL, 6MM	004	0	0	21,18
17	90406-KV3-780	WASHER, 6MM	002	0	0	12,58
18	94050-08000	NUT, FLANGE, 8MM	002	0	0	6,75
19	94101-08000	WASHER, PLAIN, 8MM	001	0	0	1,94
20	94102-08800	WASHER, PLAIN, 8MM	001	0	0	3,52

CRF250X CRF250X6 2006 ED EXTREME RED

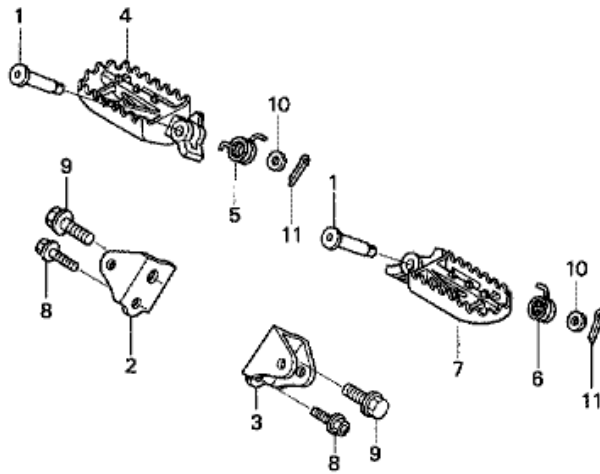
F-18 PEDAL/KICK STARTER ARM



Refnr	Artikelnummer	Beskrivning	Antal	Best. antal	Rep.antal	Pris SEK
1	24700-KRN-000	PEDAL COMP., CHANGE	001	0	0	646,11
2	28300-KRN-000	ARM ASSY., KICK STARTER	001	0	0	1074,11
3	28302-KRN-000	JOINT, KICK ARM	001	0	0	446,68
4	28306-MEN-670	BOLT, KICK JOINT	001	0	0	82,14
5	28333-KK0-000	SPRING, KICK STARTER	001	0	0	15,45
6	46510-KSC-000	PEDAL, RR. BRAKE	001	0	0	786,44
7	46511-KZ4-J00	SPRING ASSY., RR. BRAKE RETURN	001	0	0	38,20
8	46513-KSC-000	SHAFT, BRAKE PIVOT	001	0	0	157,90
9	46525-KK0-003	DUST SEAL, 17X20X2.5	001	0	0	30,06
10	90103-KRN-000	BOLT, KICK ARM	001	0	0	23,40
11	90404-MEN-670	WASHER, 26X9	001	0	0	29,79
12	90705-PFF-300	PIN, SNAP, 8MM	001	0	0	20,44
13	91251-444-000	DUST SEAL, 15X20X2.5	002	0	0	31,45
14	94201-20120	PIN, SPLIT, 2.0X12	001	0	0	1,94
15	95015-54000	PIN D, JOINT	001	0	0	8,23
16	96001-06022-00	BOLT, FLANGE, 6X22	001	0	0	7,49
17	96211-08000	BALL, STEEL, #8 (1/4)	001	0	0	3,33

CRF250X CRF250X6 2006 ED EXTREME RED

F-19 STEP



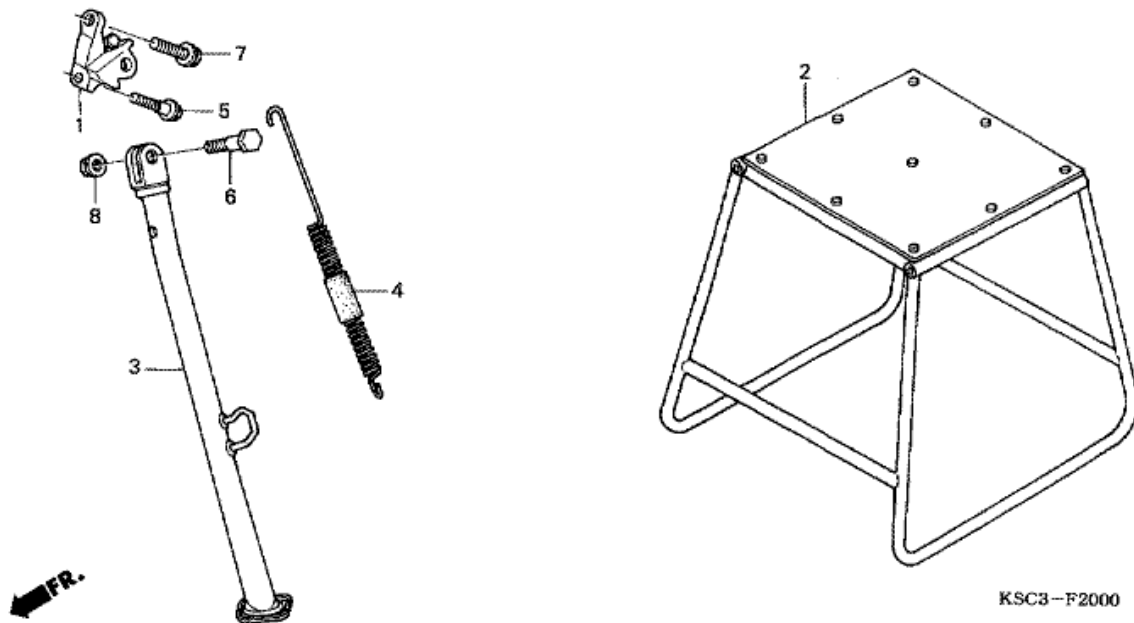
FR.

KSC4-F1900

Refnr	Artikelnummer	Beskrivning	Antal	Best. antal	Rep.antal	Pris SEK
1	50603-KZ4-J40	PIN, STEP JOINT	002	0	0	29,14
2	50610-MEN-671	BRACKET, R. STEP	001	0	0	132,37
3	50611-MEN-671	BRACKET, L. STEP	001	0	0	132,37
4	50616-MEN-670	ARM, R. STEP	001	0	0	362,97
5	50617-KZ4-J40	SPRING, R. STEP RETURN	001	0	0	20,90
6	50618-KZ4-J40	SPRING, L. STEP RETURN	001	0	0	20,90
7	50642-MEN-670	ARM, L. STEP	001	0	0	362,97
8	90101-KZ3-J50	BOLT, FLANGE, 8X24	002	0	0	27,57
9	90101-KZ4-J40	BOLT, STEP, 12MM	002	0	0	43,11
10	94102-08800	WASHER, PLAIN, 8MM	002	0	0	3,52
11	94201-25150	PIN, SPLIT, 2.5X15	002	0	0	3,98

CRF250X CRF250X6 2006 ED EXTREME RED

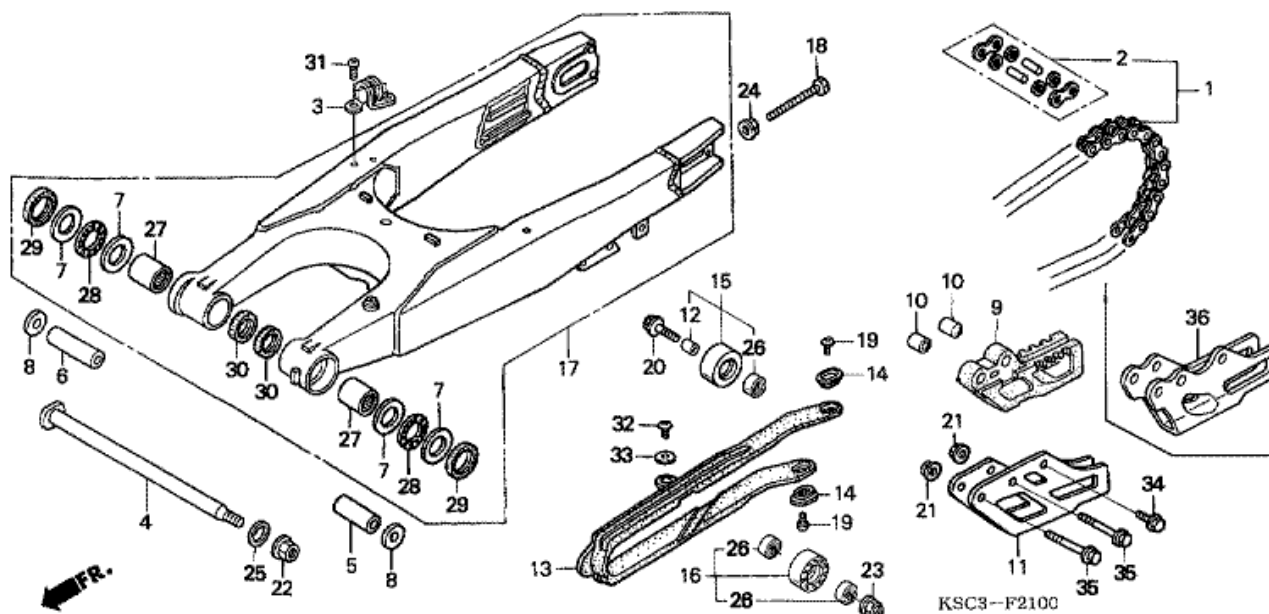
F-20 STAND



Refnr	Artikelnummer	Beskrivning	Antal	Best. antal	Rep.antal	Pris SEK
1	50125-KSC-000	BRACKET, SIDE STAND	001	0	0	592,00
2	50500-KA3-820	STAND COMP., MAIN	(1)	0	0	1570,93
3	50530-KSC-000	BAR, SIDE STAND	001	0	0	533,26
4	50540-KSC-000	SPRING ASSY., SIDE STAND	001	0	0	90,00
5	90101-KZ3-J50	BOLT, FLANGE, 8X24	001	0	0	27,57
6	90108-MJ0-000	BOLT, SIDE STAND PIVOT	001	0	0	70,49
7	90122-MEN-670	BOLT, 10X24	001	0	0	30,53
8	90304-GE8-003	NUT, U, 10MM	001	0	0	26,64

CRF250X CRF250X6 2006 ED EXTREME RED

F-21 SWINGARM

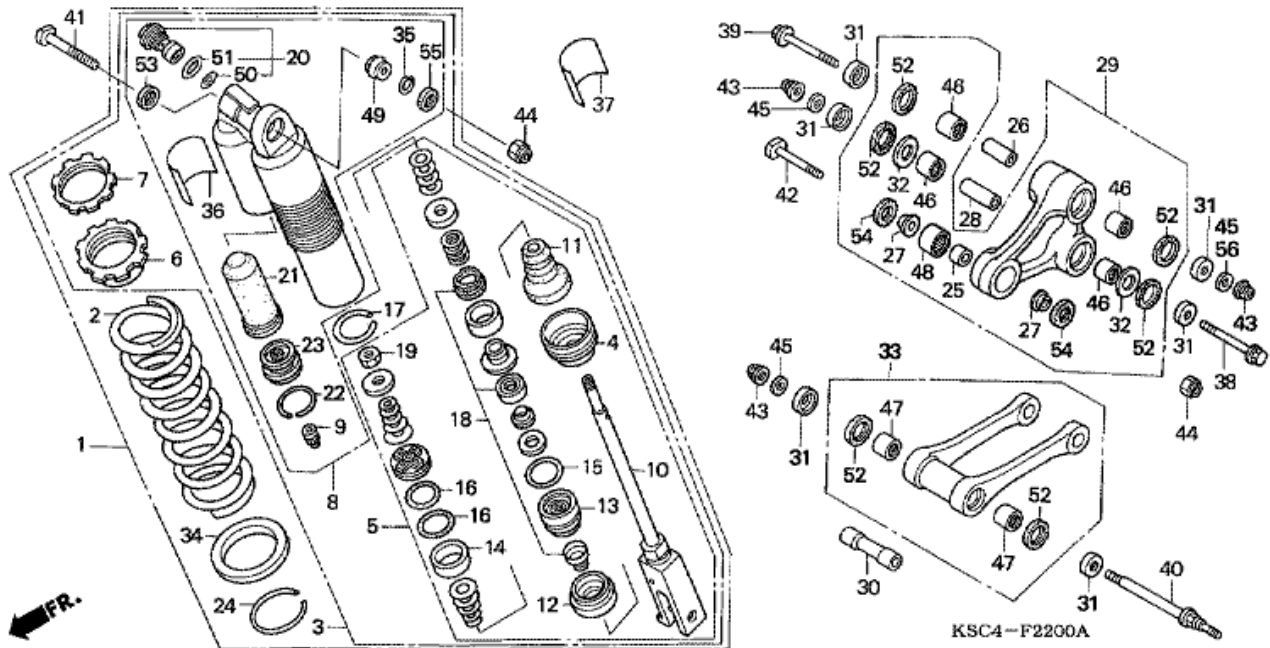


Refnr	Artikelnummer	Beskrivning	Antal	Best. antal	Rep.antal	Pris SEK
1	06405-KSC-003	CHAIN SET, DRIVE (DID520MXV-120L)	001	0	0	1210,09
2	40545-KSC-003	JOINT, DRIVE CHAIN	001	0	0	102,12
3	43468-KZ3-B00	GUIDE, RR. BRAKE HOSE	001	0	0	35,06
4	52101-KZ4-J40	SHAFT, SWINGARM PIVOT	001	0	0	214,79
5	52141-KZ3-J40	COLLAR, SWINGARM, 49MM	001	0	0	107,12
6	52141-KZ4-J40	COLLAR, SWINGARM PIVOT (59MM)	001	0	0	107,12
7	52143-KZ3-860	WASHER, SWINGARM SIDE	004	0	0	20,63
8	52143-KZ4-J40	COLLAR, SWINGARM PIVOT SIDE	002	0	0	26,55
9	52146-KRN-711	GUIDE, CHAIN	001	0	0	214,42
10	52148-MEN-000	COLLAR, CHAIN GUIDE	002	0	0	33,49
12	52160-MEN-000	COLLAR, CHAIN TENSIONER	001	0	0	25,72
13	52170-KRN-710	SLIDER, CHAIN	001	0	0	498,30
14	52171-KR6-000	WASHER, CHAIN SLIDER	002	0	0	5,74
15	52175-KSK-000	ROLLER, CHAIN (32)	001	0	0	344,75
16	52176-KRN-710	ROLLER COMP., CHAIN LOWER (34MM)	001	0	0	344,75
17	52200-KSC-A00	SWINGARM SUB ASSY., RR.	001	0	0	7158,39
18	90105-MEN-000	BOLT, HEX., 8X47.5	002	0	0	38,57
19	90115-KV3-700	SCREW, PAN, 5X8	002	0	0	11,01
20	90124-MEB-770	BOLT, FLANGE, 8X32	001	0	0	28,12
21	90301-473-003	NUT, U, 6MM	002	0	0	25,07
22	90305-KZ3-B01	NUT, U, HEX. 14MM	001	0	0	27,84
23	90301-473-003	NUT, U, 6MM	001	0	0	25,07
24	90309-357-000	NUT, HEX., 8MM	002	0	0	41,35
25	90501-GBL-730	WASHER, 14MM	001	0	0	13,69
26	91011-GCT-003	BEARING, RADIAL BALL, 608UU	003	0	0	187,41
27	91071-MJ0-003	BEARING, NEEDLE, 22X29X30 (NTN)	002	0	0	197,49
28	91072-KZ3-861	BEARING, NEEDLE THRUST	002	0	0	68,91
29	91253-KZ3-861	DUST SEAL, 30X37X4	002	0	0	59,57
30	91283-ML7-003	DUST SEAL, 22X29X4 (ARAI)	002	0	0	59,57
31	93500-05008-0A	SCREW, PAN, 5X8	002	0	0	5,27

32	93500-05008-0G	SCREW, PAN, 5X8	001	0	0	3,52
33	94103-05700	WASHER, PLAIN, 5MM	001	0	0	1,94
34	96001-06012-00	BOLT, FLANGE, 6X12	001	0	0	8,23
35	96001-06050-00	BOLT, FLANGE, 6X50	002	0	0	10,73
36	52147-KRN-710	PLATE, CHAIN GUIDE	001	0	0	315,98

CRF250X CRF250X6 2006 ED EXTREME RED

F-22 REAR CUSHION

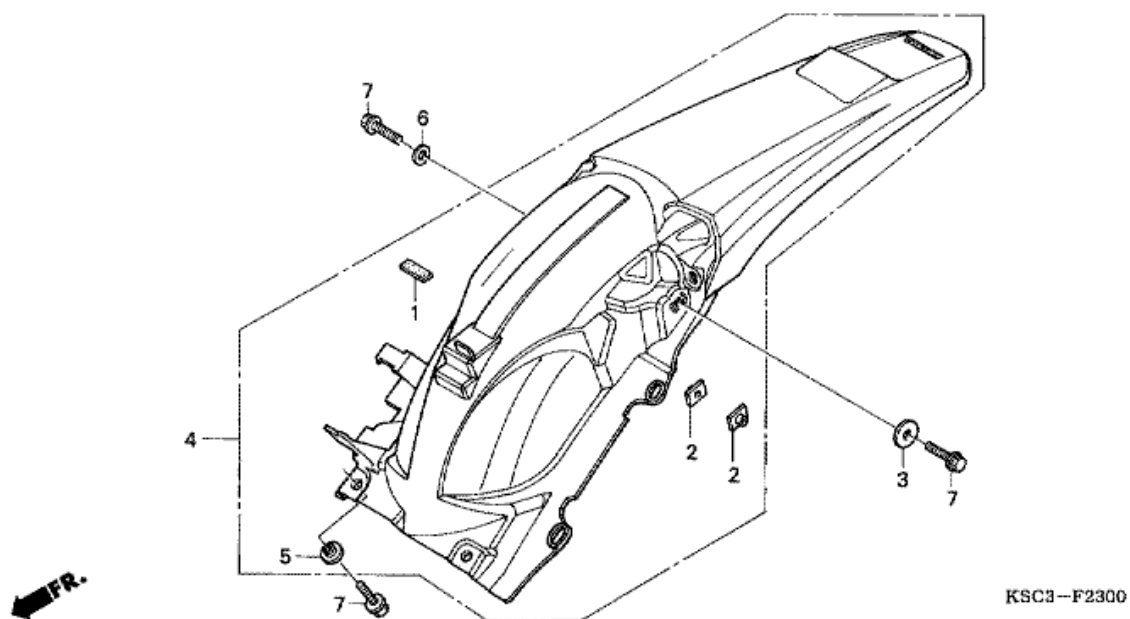


Refnr	Artikelnummer	Beskrivning	Antal	Best. antal	Rep.antal	Pris SEK
1	52400-KSC-A01	CUSHION ASSY., RR.	001	0	0	6393,32
2	52401-KSC-003	SPRING, RR. CUSHION (SHOWA) (47.1N/MM,4.8KGF/MM)	001	0	0	1377,79
2	52401-KZ3-J41	SPRING, RR. CUSHION (SHOWA) (48N/MM,4.9KGF/MM)	(1)	0	0	1345,60
2	52402-KZ3-J21	SPRING, RR. CUSHION (SHOWA) (44.6N/MM,4.55KGF/MM)	(1)	0	0	1345,60
2	52403-KZ3-J41	SPRING, RR. CUSHION (SHOWA) (51N/MM,5.2KGF/MM)	(1)	0	0	1345,60
3	52410-KSC-A01	DAMPER COMP., RR.	001	0	0	7482,42
4	52419-KZ3-J21	STOPPER, SPRING SEAT	001	0	0	98,98
5	52421-KSC-A01	ROD COMP., PISTON	001	0	0	2997,65
6	52422-KZ3-J31	ADJUSTER, SPRING	001	0	0	152,63
7	52423-KZ3-J21	NUT, ADJUSTER	001	0	0	105,64
8	52425-MEY-671	CASE COMP., DAMPER	001	0	0	3945,31
9	52425-381-771	CAP, AIR VALVE	001	0	0	39,22
10	52426-KSC-A01	ROD COMP.	001	0	0	2685,55
11	52427-KZ3-891	RUBBER, STOPPER	001	0	0	89,63
12	52428-KRN-711	PLATE, END	001	0	0	114,42
13	52429-KZ3-J41	CASE COMP., ROD GUIDE	001	0	0	98,98
14	52431-KZ3-J31	RING, PISTON	001	0	0	128,11
15	52434-KZ3-J21	O-RING, 3.5X43.7	001	0	0	40,33
16	52434-KZ3-J31	O-RING, 42.5X2.0	002	0	0	38,20
17	52435-KZ3-J21	RING, STOPPER	001	0	0	18,59
18	52436-MEN-671	"OLJEPACKNINGPAKET,"	001	0	0	189,53
19	52438-KA4-741	NUT, HEX., 12MM	001	0	0	16,10
20	52440-MEN-671	ADJUSTER, COMPRESSION DAMPING FORCE	001	0	0	613,37
21	52451-KZ3-891	B/LG	001	0	0	136,35
22	52452-KS7-831	RING, STOPPER	001	0	0	17,85
23	52453-KRN-711	CAP COMP., CHAMBER	001	0	0	242,35

24	52455-KZ3-J21	RING, STOPPER	001	0	0	44,59
25	52464-KRN-710	COLLAR D, CUSHION ARM	001	0	0	99,71
26	52463-KZ4-J40	COLLAR C, CUSHION ARM	001	0	0	53,84
27	52466-KRN-710	COLLAR D, CUSHION ARM SIDE	002	0	0	39,50
28	52464-KZ4-J20	COLLAR B, CUSHION	001	0	0	60,59
29	52465-KSR-710	ARM SUB ASSY., CUSHION	001	0	0	1897,36
30	52473-KZ4-J20	COLLAR A, CONNECTING ROD	001	0	0	127,56
31	52475-KZ4-J20	COLLAR, LINK SIDE	006	0	0	58,83
32	52476-KZ4-J20	WASHER, THRUST	002	0	0	43,94
33	52479-KSR-710	ROD SUB ASSY., CUSHION CONNECTING	001	0	0	1417,01
34	52486-KZ3-J21	SEAT, SPRING	001	0	0	131,91
35	52487-KA4-831	RING, STOPPER	001	0	0	19,98
36	87516-KZ1-600	LABEL, RR. DAMPER WARNING	001	0	0	40,33
37	87516-KZ1-881	LABEL, RR. DAMPER WARNING (FRENCH)	001	0	0	32,65
38	90130-KZ4-J20	BOLT, LINK, 12X96	001	0	0	95,18
39	90130-KZ4-J40	BOLT, LINK, 12X81.5	001	0	0	87,69
40	90131-MEY-000	BOLT, LINK, 12X120	001	0	0	147,91
41	90152-MEB-750	BOLT, CUSHION UPPER, 10X53	001	0	0	35,43
42	90153-KZ4-710	BOLT, CUSHION LOWER, 10X43.5	001	0	0	35,80
43	90306-KBP-901	NUT, U, 12MM	003	0	0	35,15
44	90306-KZ4-711	NUT, U, 10MM	002	0	0	19,52
45	90501-KRN-710	WASHER, PLAIN, 12MM	002	0	0	32,38
46	91051-KSC-003	BEARING, NEEDLE, 20X26X15	004	0	0	82,79
47	91053-KZ4-J21	BEARING, NEEDLE, 20X26X14	002	0	0	105,73
48	91074-KRN-711	BEARING, NEEDLE, 19X26X13	001	0	0	82,79
49	91074-MAC-741	BEARING, SPHERICAL, 10	001	0	0	169,65
50	91256-KZ3-731	O-RING, 21.5X1.5	001	0	0	15,45
51	91257-KZ3-891	O-RING, 26.2X1.9	001	0	0	21,00
52	91262-KZ3-731	DUST SEAL, 25X32X4	006	0	0	80,01
53	91351-KZ3-731	DUST SEAL, RR. CUSHION PIVOT	001	0	0	29,42
54	91351-KRN-711	DUST SEAL, 17.5X26X3	002	0	0	26,92
55	91351-MAC-671	DUST SEAL, 16X26X3	001	0	0	30,15
56	90501-KZ4-J40	WASHER, PLAIN, 12MM	001	0	0	25,72

CRF250X CRF250X6 2006 ED EXTREME RED

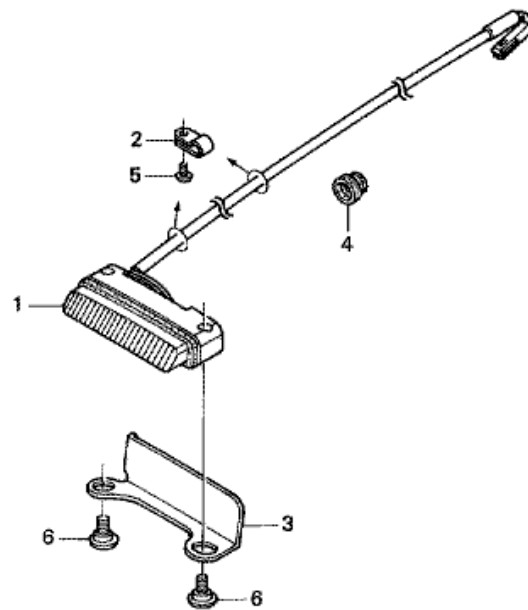
F-23 REAR FENDER



Refnr	Artikelnummer	Beskrivning	Antal	Best. antal	Rep.antal	Pris SEK
1	50283-KSC-300	RUBBER, BATTERY	001	0	0	11,01
2	61304-958-003	NUT, SPECIAL, 6X7	002	0	0	25,72
3	77302-124-000	WASHER, SEAT MOUNTING	001	0	0	16,37
4	80101-KSC-000ZB	FENDER SET, RR. (WL) *TYPE1 * (TYPE1)	001	0	0	456,67
5	90503-KRN-000	COLLAR, RR. FENDER	002	0	0	43,01
6	94101-06800	WASHER, PLAIN, 6MM	001	0	0	1,94
7	96001-06016-00	BOLT, FLANGE, 6X16	004	0	0	6,01

CRF250X CRF250X6 2006 ED EXTREME RED

F-24 TAILLIGHT

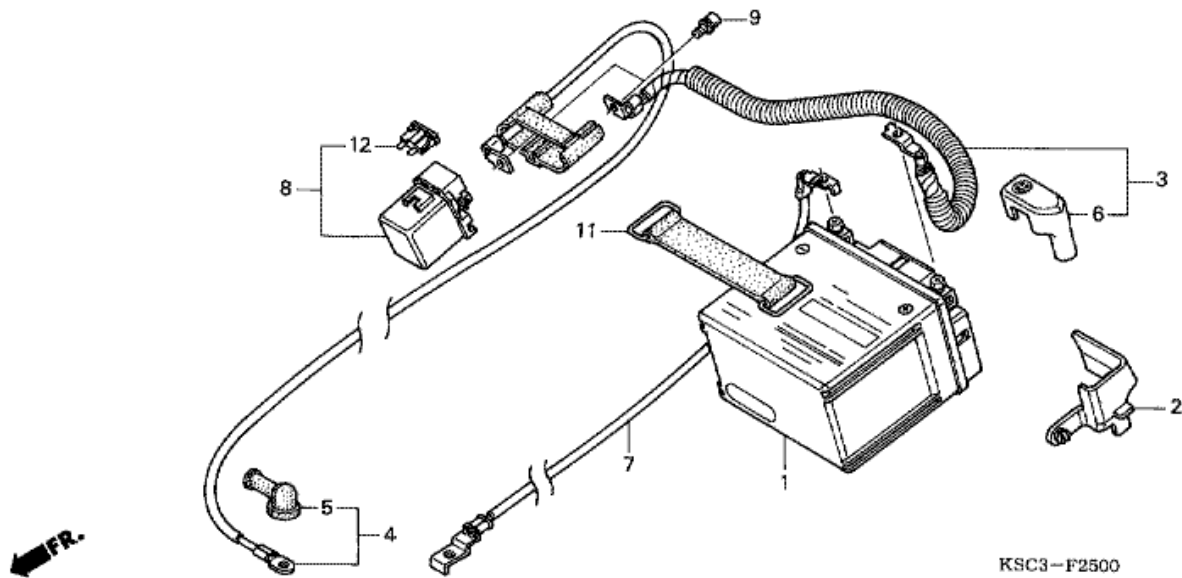


KSC4-F2400

Refnr	Artikelnummer	Beskrivning	Antal	Best. antal	Rep.antal	Pris SEK
1	33701-KSC-A00	TAILLIGHT UNIT	001	0	0	348,82
2	37215-KAF-008	KLMMA	002	0	0	20,63
3	80130-KSC-000	STAY, TAILLIGHT	001	0	0	36,35
5	90102-SP1-003	SCREW, TAPPING, 4X8 (PO)	002	0	0	10,45
6	90380-KSC-000	SCREW, SPECIAL, 5X9.5	002	0	0	21,00

CRF250X CRF250X6 2006 ED EXTREME RED

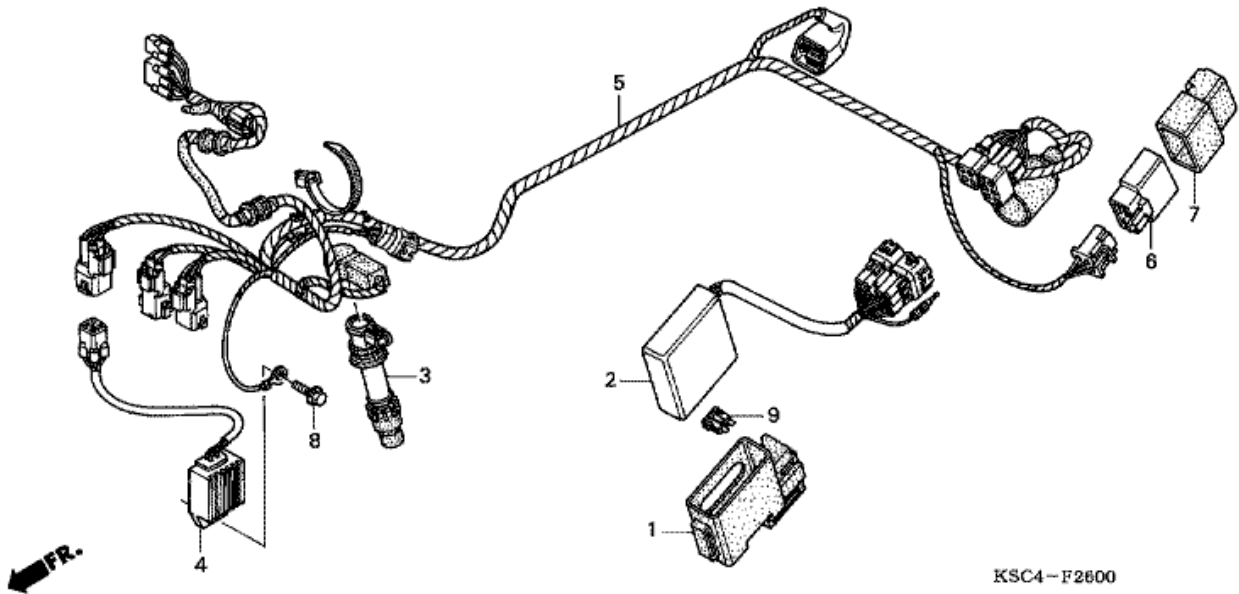
F-25 BATTERY



Refnr	Artikelnummer	Beskrivning	Antal	Best. antal	Rep.antal	Pris SEK
1	31500-KY4-905	BATTERI (YTX5L-BS) (YUASA)	001	0	0	644,08
2	31505-KSC-000	COVER, BATTERY TERMINAL	001	0	0	38,20
3	32401-KSC-670	CABLE, STARTER MAGNETIC BATTERY	001	0	0	193,14
4	32410-KSC-670	CABLE, STARTER MOTOR	001	0	0	205,72
5	32411-253-000	COVER, STARTER MOTOR TERMINAL	001	0	0	29,79
6	32414-MCF-000	COVER, BATTERY TERMINAL	001	0	0	40,52
7	32601-KSC-670	CABLE, BATTERY EARTH	001	0	0	148,00
8	35850-KK6-740	SWITCH ASSY., STARTER MAGNETIC	001	0	0	867,83
9	90111-MR5-000	BOLT, SOCKET, 5X9	002	0	0	15,17
11	95012-13001	BAND B2, BATTERY	001	0	0	157,53
12	98200-31500	FUSE, BLADE (15A)	001	0	0	4,90

CRF250X CRF250X6 2006 ED EXTREME RED

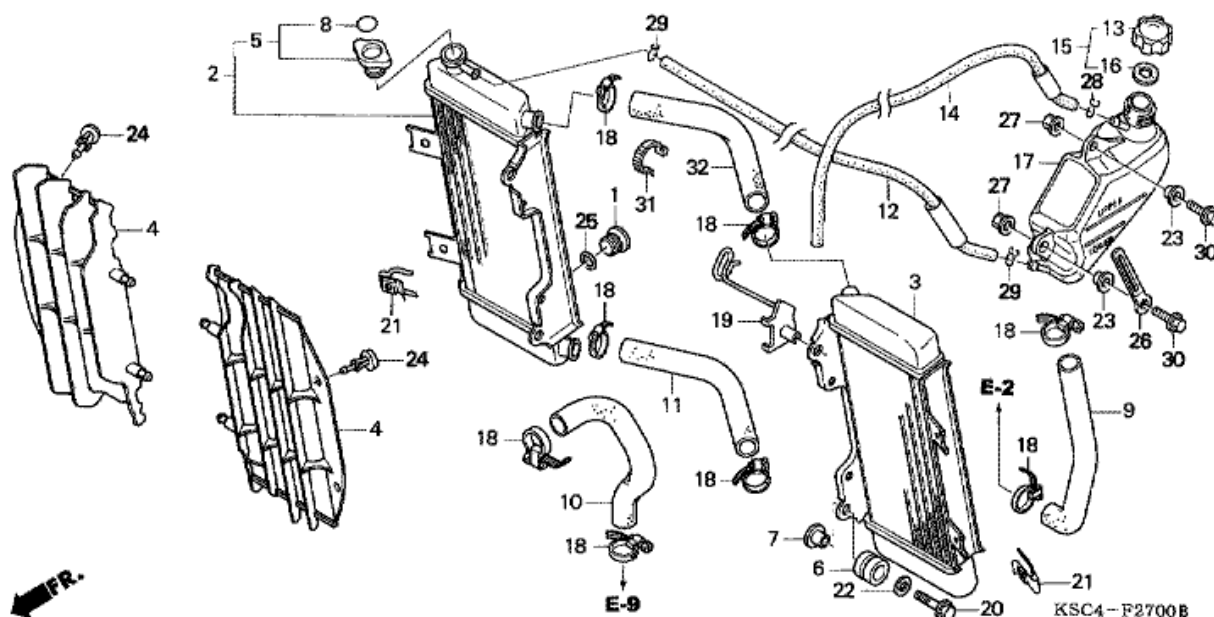
F-26 WIRE HARNESS



Refnr	Artikelnummer	Beskrivning	Antal	Best. antal	Rep.antal	Pris SEK
1	30401-KSC-000	CUSHION, C.D.I. UNIT	001	0	0	115,26
2	30410-KSC-A01	C.D.I. ENHET	001	0	0	3031,60
3	30700-KRN-670	CAP ASSY., NOISE SUPPRESSOR	001	0	0	603,38
4	31600-KSC-671	RECTIFIER COMP., REGULATOR	001	0	0	2180,32
5	32100-KSC-A00	HARNESS, WIRE	001	0	0	1133,68
8	96001-06016-00	BOLT, FLANGE, 6X16	001	0	0	6,01
9	98200-31500	FUSE, BLADE (15A)	001	0	0	4,90

CRF250X CRF250X6 2006 ED EXTREME RED

F-27 RADIATOR

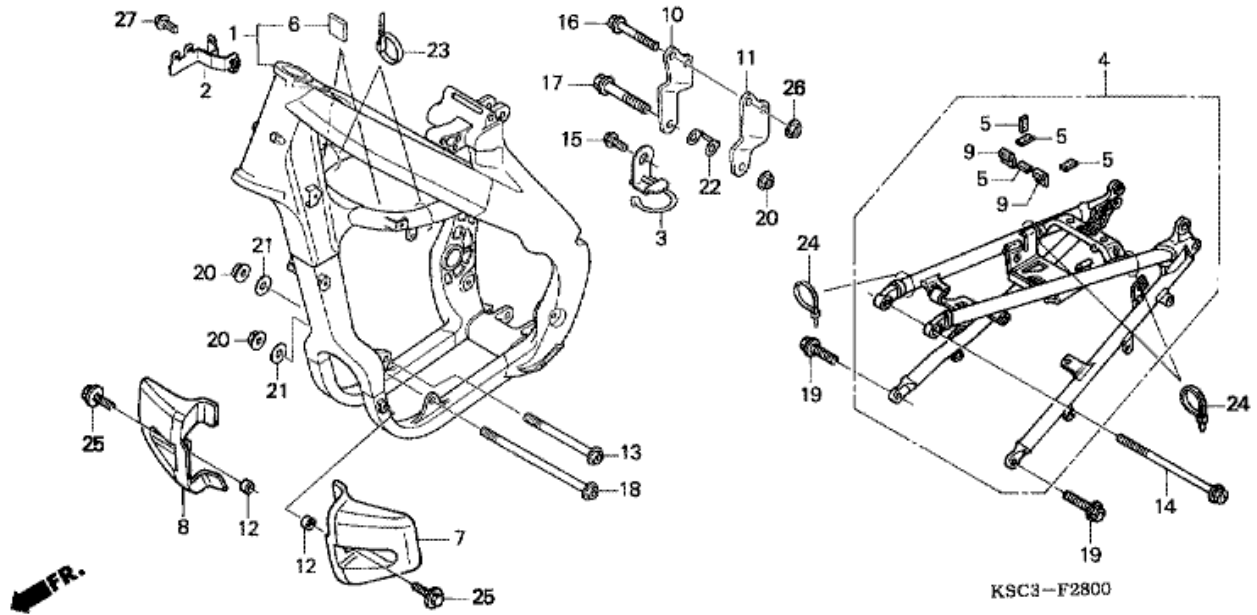


Refnr	Artikelnummer	Beskrivning	Antal	Best. antal	Rep.antal	Pris SEK
1	12206-881-310	BOLT, SEALING, 16MM	001	0	0	0,00
2	19010-KSC-641	RADIATOR, R.	001	0	0	2400,38
3	19015-KRN-731	RADIATOR, L.	001	0	0	2400,38
4	19033-KRN-010	GRILLE, RADIATOR	002	0	0	282,13
5	19037-KRN-641	CAP COMP., RADIATOR	001	0	0	238,84
6	19051-KRN-000	RUBBER, RADIATOR MOUNTING	004	0	0	23,77
7	19052-MAC-680	COLLAR, RADIATOR MOUNTING	003	0	0	24,05
8	19055-KRN-641	SEAL, RADIATOR CAP (ENGLISH/FRENCH/JAPANESE)	001	0	0	38,48
9	19061-KRN-000	HOSE A, WATER	001	0	0	109,71
10	19062-KRN-000	HOSE B, WATER	001	0	0	79,83
11	19064-KRN-000	HOSE D, WATER	001	0	0	59,85
12	19104-KSC-000	TUBE, RADIATOR BREATHER	001	0	0	128,30
13	19104-ME9-000	CAP, RESERVE TANK	001	0	0	79,83
14	19105-KSC-000	TUBE, RADIATOR DRAIN	001	0	0	115,90
15	19105-MG8-000	CAP ASSY., RESERVE TANK	001	0	0	66,14
16	19107-MG8-000	PACKING, RESERVE TANK	001	0	0	8,70
17	19110-KSC-000	TANK, RADIATOR RESERVE	001	0	0	332,35
18	19506-KS6-700	CLAMP B, WATER HOSE	008	0	0	24,42
19	50129-KSC-000	GUIDE, MAIN HARNESS	001	0	0	112,48
20	90001-GB4-000	BOLT, FLANGE, 6X23.5	004	0	0	15,91
21	90303-KRN-000	NUT, CLIP, 6MM	002	0	0	20,35
22	90403-KA3-830	WASHER, RADIATOR MOUNTING	004	0	0	8,88
23	90522-170-700	COLLAR, GEARSHIFT LEVER SETTING	002	0	0	19,06
24	90601-KSC-003	CLIP, GRILLE	002	0	0	20,90
25	91307-611-000	O-RING, 13.5X1.4	001	0	0	22,20
26	91406-166-000	CLIP, WIRE	001	0	0	19,52
27	94050-06000	NUT, FLANGE, 6MM	002	0	0	6,75
28	95002-02080	CLIP, TUBE (B8)	001	0	0	3,98
29	95002-02100	CLIP, TUBE (B10)	002	0	0	4,90

30	96001-06016-00	BOLT, FLANGE, 6X16	002	0	0	6,01
31	90652-KT1-771	BAND, WIRE (BLACK)	001	0	0	14,06
32	19064-KSC-000	HOSE D, WATER UPPER	001	0	0	59,85

CRF250X CRF250X6 2006 ED EXTREME RED

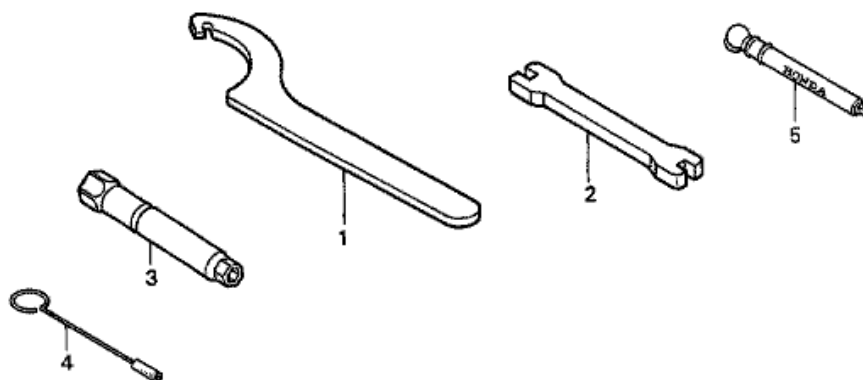
F-28 FRAME BODY



Refnr	Artikelnummer	Beskrivning	Antal	Best. antal	Rep.antal	Pris SEK
1	50010-KSC-731	BODY SET, FRAME	001	0	0	7428,49
2	50126-KRN-000	STAY, COUPLER	001	0	0	53,00
3	50197-KRN-000	CLIP, FUEL TUBE	001	0	0	39,13
4	50200-KSC-730	BODY COMP., RR. FRAME	001	0	0	2851,31
5	50283-KSC-300	RUBBER, BATTERY	004	0	0	11,01
6	50283-MR7-300	RUBBER, SEAT RAIL	002	0	0	18,59
7	50360-KRN-000	GUARD, L. ENGINE	001	0	0	121,27
8	50370-KSC-000	GUARD, R. ENGINE	001	0	0	117,57
9	50283-MR7-300	RUBBER, SEAT RAIL	002	0	0	18,59
10	50407-KRN-730	BRACKET, R. HEAD HANGER	001	0	0	129,41
11	50408-KRN-730	BRACKET, L. HEAD HANGER	001	0	0	129,41
12	52156-353-300	COLLAR, 6X4	002	0	0	32,93
13	90101-KSC-000	BOLT, FLANGE, 10X117	001	0	0	93,89
14	90105-KRN-000	BOLT, FLANGE, 8X125	001	0	0	68,08
15	90106-KRN-000	BOLT, FLANGE, 5X12	001	0	0	18,78
16	90107-KRN-000	BOLT, FLANGE, 8X55	002	0	0	30,53
17	90109-KSC-000	BOLT, FLANGE, 10X58	001	0	0	82,14
18	90116-KW3-000	BOLT, FLANGE, 10X138	001	0	0	75,02
19	90122-KRN-000	BOLT, FLANGE, 10X26	002	0	0	30,53
20	90302-KZ3-J40	NUT, FLANGE, 10MM	003	0	0	21,09
21	90410-HC4-000	WASHER, 10MM	002	0	0	7,22
22	90511-KRN-000	WASHER, HEAD HANGER PLATE	001	0	0	55,50
23	90651-KV6-003	BAND, WIRE	002	0	0	28,49
24	90652-KT1-771	BAND, WIRE (BLACK)	003	0	0	14,06
25	93404-06014-00	BOLT-WASHER, 6X14	002	0	0	5,27
26	94050-08000	NUT, FLANGE, 8MM	002	0	0	6,75
27	96001-06016-00	BOLT, FLANGE, 6X16	001	0	0	6,01

CRF250X CRF250X6 2006 ED EXTREME RED

F-29 TOOLS

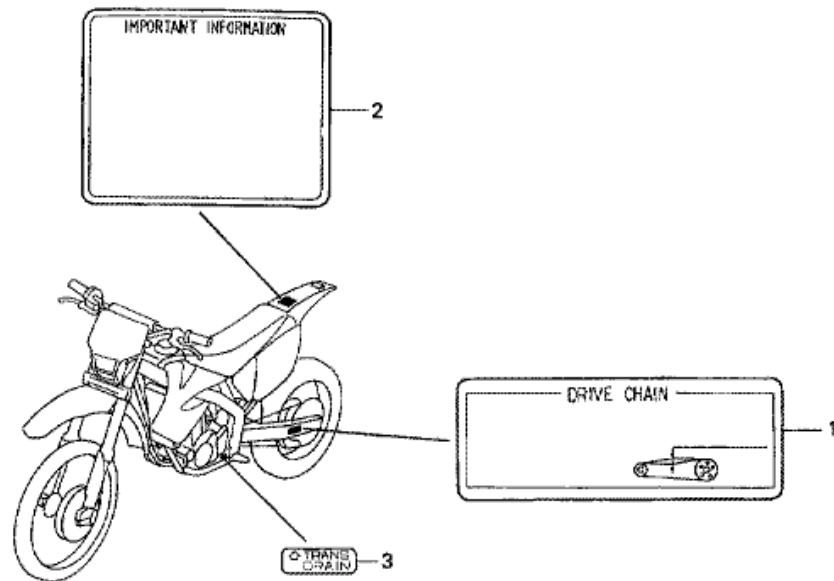


KRN4-F2400

Refnr	Artikelnummer	Beskrivning	Antal	Best. antal	Rep.antal	Pris SEK
1	89201-KS6-810	SPANNER A, PIN	(2)	0	0	383,14
2	89212-KZ4-J40	WRENCH, NIPPLE	001	0	0	70,30
3	89216-MY9-000	WRENCH, PLUG (16MM)	001	0	0	44,59
4	89217-KRN-000	TOOL, CARBURETOR MAINTENANCE	001	0	0	41,35
5	89301-KA4-811	GAUGE, AIR PRESSURE	(1)	0	0	1081,70

CRF250X CRF250X6 2006 ED EXTREME RED

F-30 CAUTION LABEL

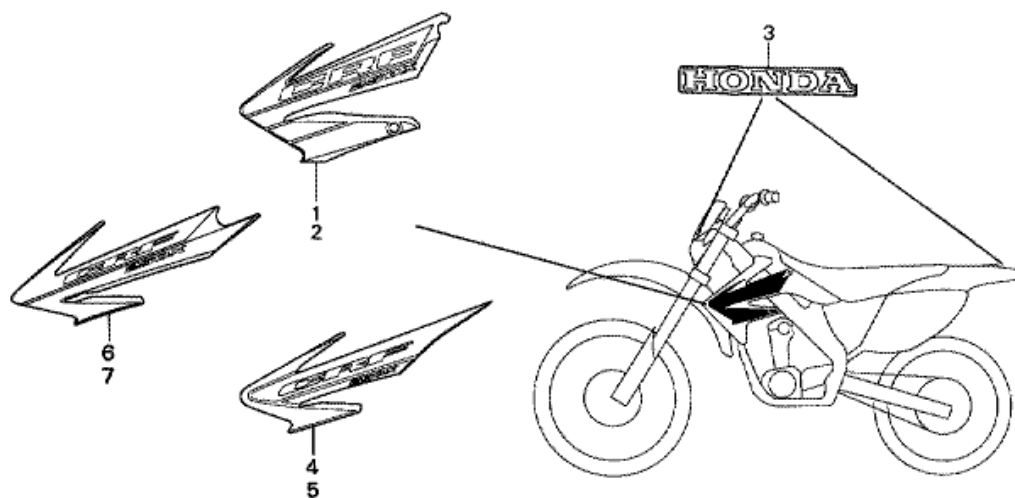


KSC3-P3000

Refnr	Artikelnummer	Beskrivning	Antal	Best. antal	Rep.antal	Pris SEK
1	87507-KZ3-B10	LABEL, DRIVE CHAIN	001	0	0	40,33
1	87507-KZ3-B90	LABEL, DRIVE CHAIN (FRENCH)	001	0	0	40,33
2	87560-GBF-770	MARK, CAUTION	001	0	0	25,99
2	87560-ML3-970	MARK, CAUTION (FRENCH)	001	0	0	39,22
3	87564-KRN-000	LABEL, TRANSMISSION DRAIN	001	0	0	6,66

CRF250X CRF250X6 2006 ED EXTREME RED

F-31 MARK

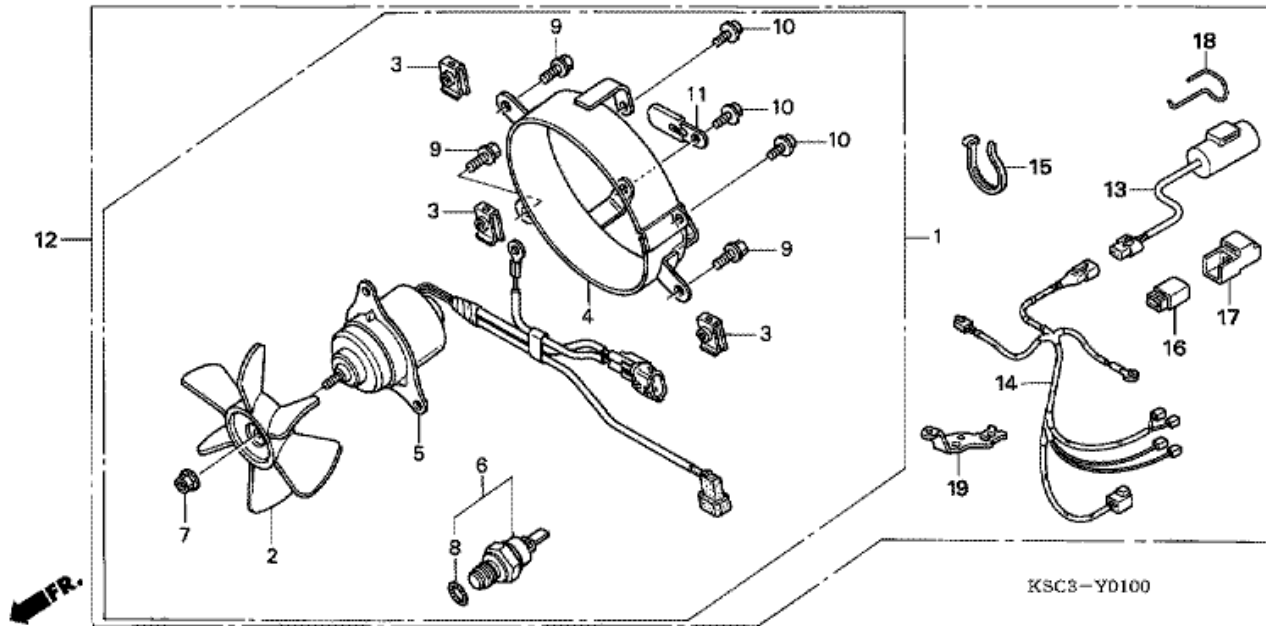


KSC3~F3100A

Refnr	Artikelnummer	Beskrivning	Antal	Best. antal	Rep.antal	Pris SEK
3	87130-GEL-A00ZA	MÄRKE (HONDA) *TYPE1 * (TYPE1)	002	0	0	44,86
6	87126-KSC-A00ZA	MARK, R. RADIATOR SHROUD *TYPE1 * (TYPE1)	001	0	0	463,06
7	87127-KSC-A00ZA	MARK, L. RADIATOR SHROUD *TYPE1 * (TYPE1)	001	0	0	463,06

CRF250X CRF250X6 2006 ED EXTREME RED

FOP-1 COOLING FAN



Refnr	Artikelnummer	Beskrivning	Antal	Best. antal	Rep.antal	Pris SEK
2	19009-KSC-671	FAN COMP., COOLING	001	0	0	269,55
3	19014-KEA-003	NUT, SETTING	003	0	0	19,98
4	19020-KSC-300	SHROUD COMP., FAN	001	0	0	1467,24
5	19030-KSC-671	MOTOR, COOLING FAN	001	0	0	2127,69
6	37760-MT2-003	SWITCH ASSY., THERMO	001	0	0	532,15
7	90308-KM3-003	NUT, TOOTHED, 3MM	001	0	0	14,71
8	91307-611-000	O-RING, 13.5X1.4	001	0	0	22,20
9	93401-06012-08	BOLT-WASHER, 6X12	003	0	0	8,23
10	93891-04008-07	SCREW-WASHER, 4X8	003	0	0	6,48
11	94591-24000	CLIP, WIRE, 2X40	001	0	0	12,40
12	19000-KSC-D00	FAN SET, COOLING	001	0	0	4340,47
13	31700-KSC-D00	RECTIFIER ASSY., SILICON	001	0	0	0,00
14	32110-KSC-D00	SUB HARNESS, OPTION FAN	001	0	0	0,00
15	35701-MG9-950	BAND	004	0	0	20,63
16	38501-GAM-007	RELAY COMP., STARTER (MATSUSHITA)	001	0	0	291,10
17	38506-MY2-691	SUSPENSION, STARTER RELAY (MATSUSHITA)	001	0	0	56,43
18	50142-KSC-D00	GUARD, CONDENSER	001	0	0	0,00
19	50143-KSC-D00	STAY, CONDENSER	001	0	0	0,00